

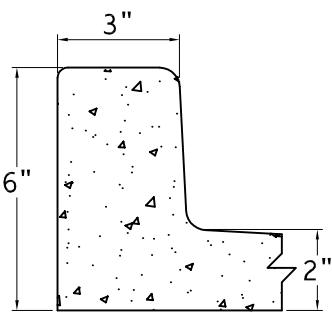
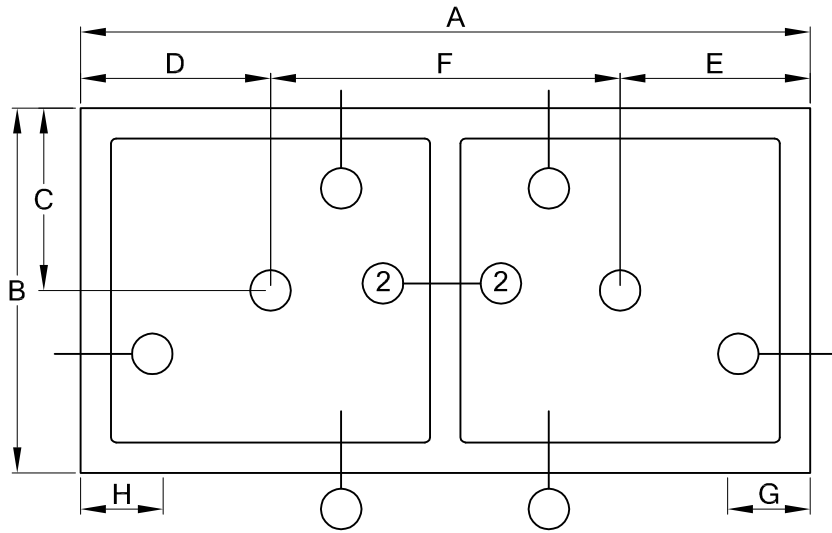
# RMD - GIBRALTAR SERIES

## SPECIFICATIONS

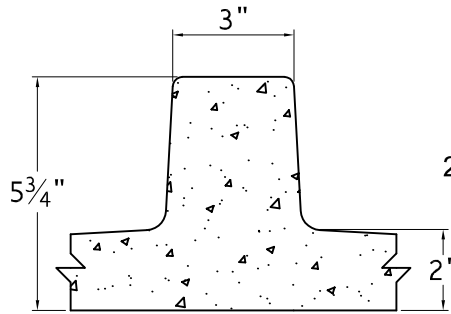
PRE-CAST TERRAZZO OF BLACK & WHITE MARBLE CHIPS IN WHITE CEMENT AND A 2" STAINLESS STEEL DRAIN BODY CAST INTEGRAL WITH A REMOVABLE STRAINER PLATE MADE OF STAINLESS STEEL

## PROCEDURE

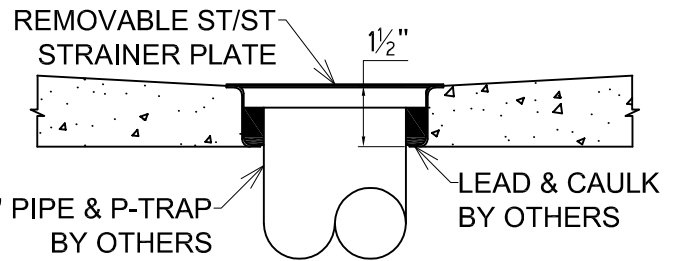
CUSTOMER SHALL FILL IN SHOULDER SECTION IN BALLOONS ON PLAN. IF RABBETS ARE NEEDED, FILL IN DIMENSION ON SECTIONS 4 & 5. RABBETS ARE TO BE 1/8" WIDER AND 1/8" LONGER THAN MARBLE SLAB (FILL IN RABBET SIZE DIMENSION SECTION).



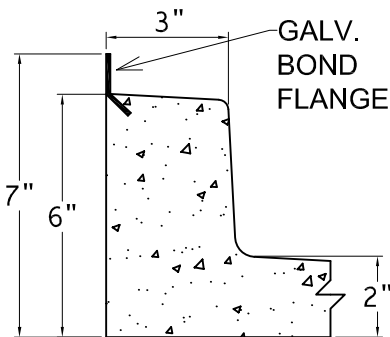
SECTION 1



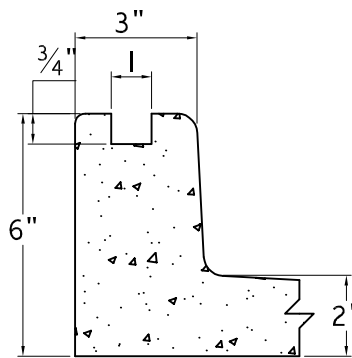
SECTION 2



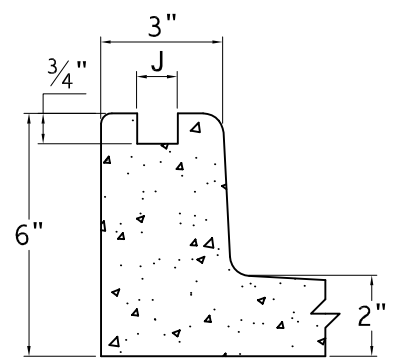
SECTION THRU DRAIN



SECTION 3



SECTION 4



SECTION 5

QTY	SIZE	A	B	C*	D*	E	F	G**	H**	I	J

\* INDICATES DRAIN LOCATION. DIMENSIONS MUST BE SPECIFIC, ESPECIALLY WITH OFFSET DRAIN.

\*\* FILL IN SECTIONS G & H ONLY IF RABBETS ARE REQUIRED ON THRESHOLD.

DRAIN SIZE (OTHER THAN 2"): \_\_\_\_\_

COLOR (OTHER THAN BLACK & WHITE) \_\_\_\_\_

**IMPORTANT:** DUE TO THE NATURE OF MATERIAL AND MANUFACTURING PROCESS THE ACTUAL DIMENSIONS MAY VARY ±1/4"

NOTE: ESTABLISH 1/4" INCH CLEARANCE BETWEEN SHOWER FLOOR AND WALL. IT IS IMPORTANT THAT ENTIRE AREA BETWEEN RECEPTOR AND BUILDING FLOOR HAVE A LAYER OF MORTAR IN ORDER THAT SHOWER FLOORS BE LEVEL.

NOTE: CUSTOMER TO REVIEW, VERIFY, AND APPROVE DRAWING FOR PRODUCTION. ONCE DRAWING IS SIGNED FOR APPROVAL AND SUBMITTED WITH ORDER, THE ORDER SHALL BE **NON-CANCELABLE**.

DWG. APPROVED: _____	DATE: _____
CUST: _____	
JOB: _____	
ORDER #: _____	



CUSTOMER SERVICE  
833-549-2887  
www.fiatproducts.com