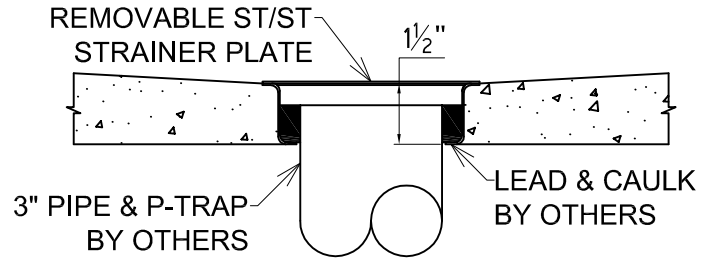
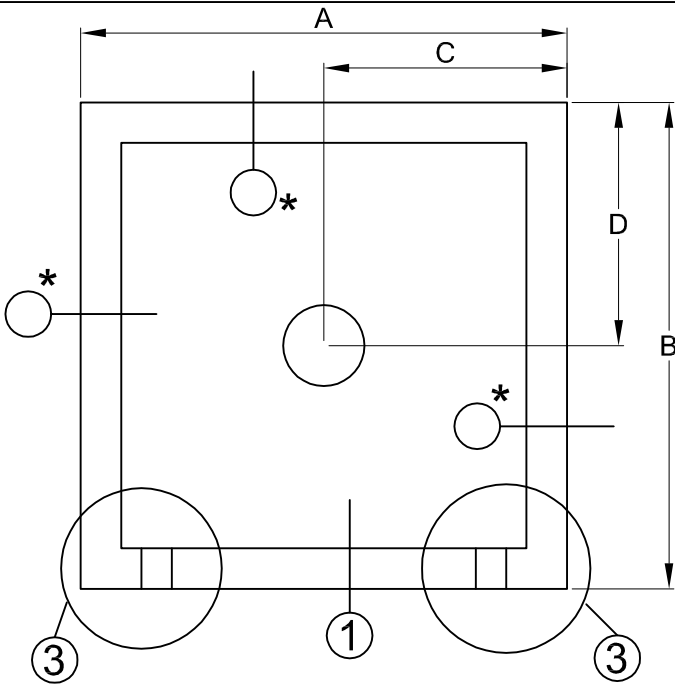


TSB SERIES W/ 6" DROP FRONT

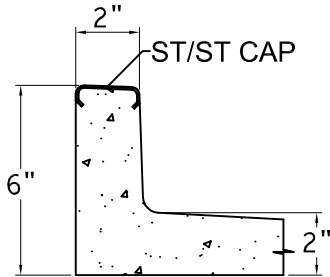
SPECIFICATIONS

PRE-CAST TERRAZZO OF BLACK & WHITE MARBLE CHIPS IN GRAY CEMENT AND A 3" STAINLESS STEEL DRAIN BODY CAST INTEGRAL WITH A REMOVABLE STRAINER PLATE MADE OF STAINLESS STEEL

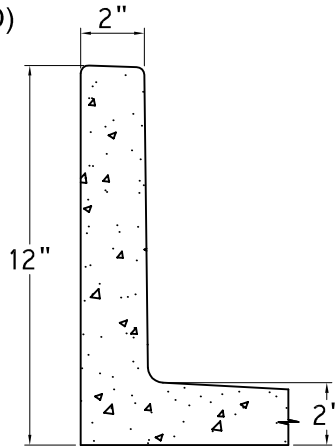


SECTION THRU DRAIN

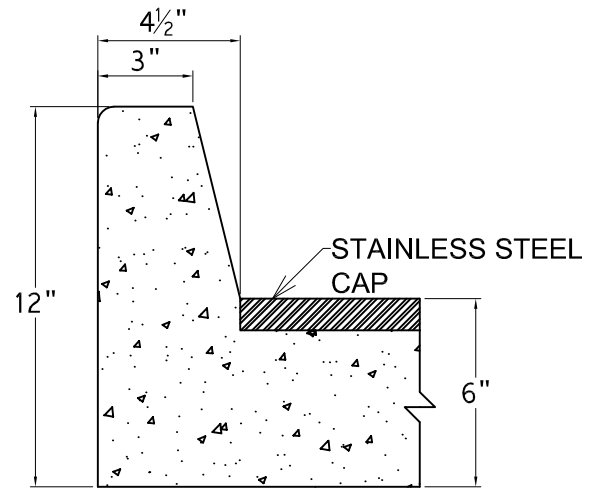
* SELECT SECTION AS TO APPROPRIATE SIDE (PLAIN, FLANGED OR CAPPED)



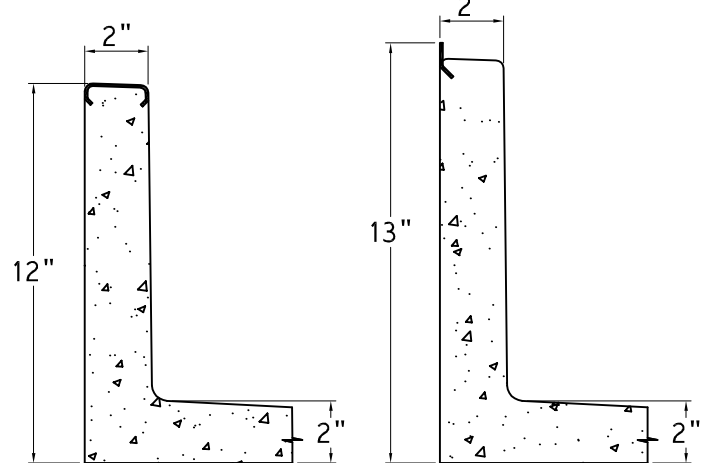
SECTION 1
THRESHOLD W/ ST/ST CAP



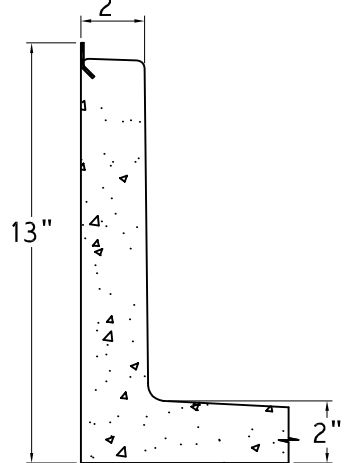
SECTION 2
SHOULDER



SECTION 3
DROP FRONT



SECTION 4
SHOULDER W/ ST/ST CAP



SECTION 5
SHOULDER W/ FLANGE

NOTE: ESTABLISH 1/4" INCH CLEARANCE BETWEEN SHOWER FLOOR AND WALL. IT IS IMPORTANT THAT ENTIRE AREA BETWEEN RECEPTOR AND BUILDING FLOOR HAVE A LAYER OF MORTAR IN ORDER THAT SHOWER FLOORS BE LEVEL.

QTY	SIZE	A	B	C*	D*

* INDICATES DRAIN LOCATION. DIMENSIONS MUST BE SPECIFIC, ESPECIALLY WITH OFFSET DRAIN.

DRAIN SIZE (OTHER THAN 3"): _____

COLOR (OTHER THAN BLACK & WHITE) _____

ADDITIONAL CAPS IN ADDITION TO THRESHOLD _____

IMPORTANT: DUE TO THE NATURE OF MATERIAL AND MANUFACTURING PROCESS THE ACTUAL DIMENSIONS MAY VARY ± 1/4"

NOTE: CUSTOMER TO REVIEW, VERIFY, AND APPROVE DRAWING FOR PRODUCTION. ONCE DRAWING IS SIGNED FOR APPROVAL AND SUBMITTED WITH ORDER, THE ORDER SHALL BE **NON-CANCELABLE**.

DWG. APPROVED: _____	DATE: _____
CUST: _____	
JOB: _____	
ORDER #: _____	