

**MOLDED STONE®  
MOP SERVICE BASIN**

**MSB2424**

- Molding done in matched metal dies under heat and pressure resulting in a one-piece homogeneous product.
- The unit has 10" high walls with no less than 1" wide shoulders.
- The stainless steel drain body is designed for a caulk connection or QDC-3 joint to connect to a 3" drain pipe.
- Stainless steel strainer included.

**Nominal Dimensions:**

24" x 24" x 10"  
(610 x 610 x 254mm)

**Shipping Weight:**

30lbs. (13.6 Kg)

**MSB3624**

- Molding done in matched metal dies under heat and pressure resulting in a one-piece homogeneous product.
- The unit has 10" high walls with no less than 1" wide shoulders and an integrally molded shelf 10 9/16" wide where indicated.
- The stainless steel drain body is designed for a caulk connection or QDC-3 joint to a 3" drain pipe.
- Stainless steel strainer included.

**Nominal Dimensions:**

36" x 24" x 10"  
(914 x 610 x 254mm)

**Shipping Weight:**

49lbs. (22.2 Kg)

**Compliance Certifications -  
Meets or Exceeds the Following Specifications:**

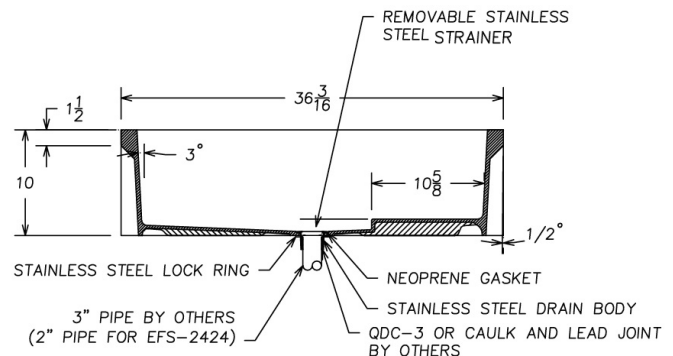
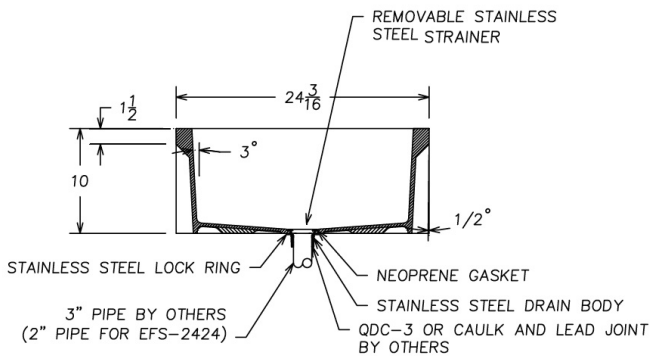
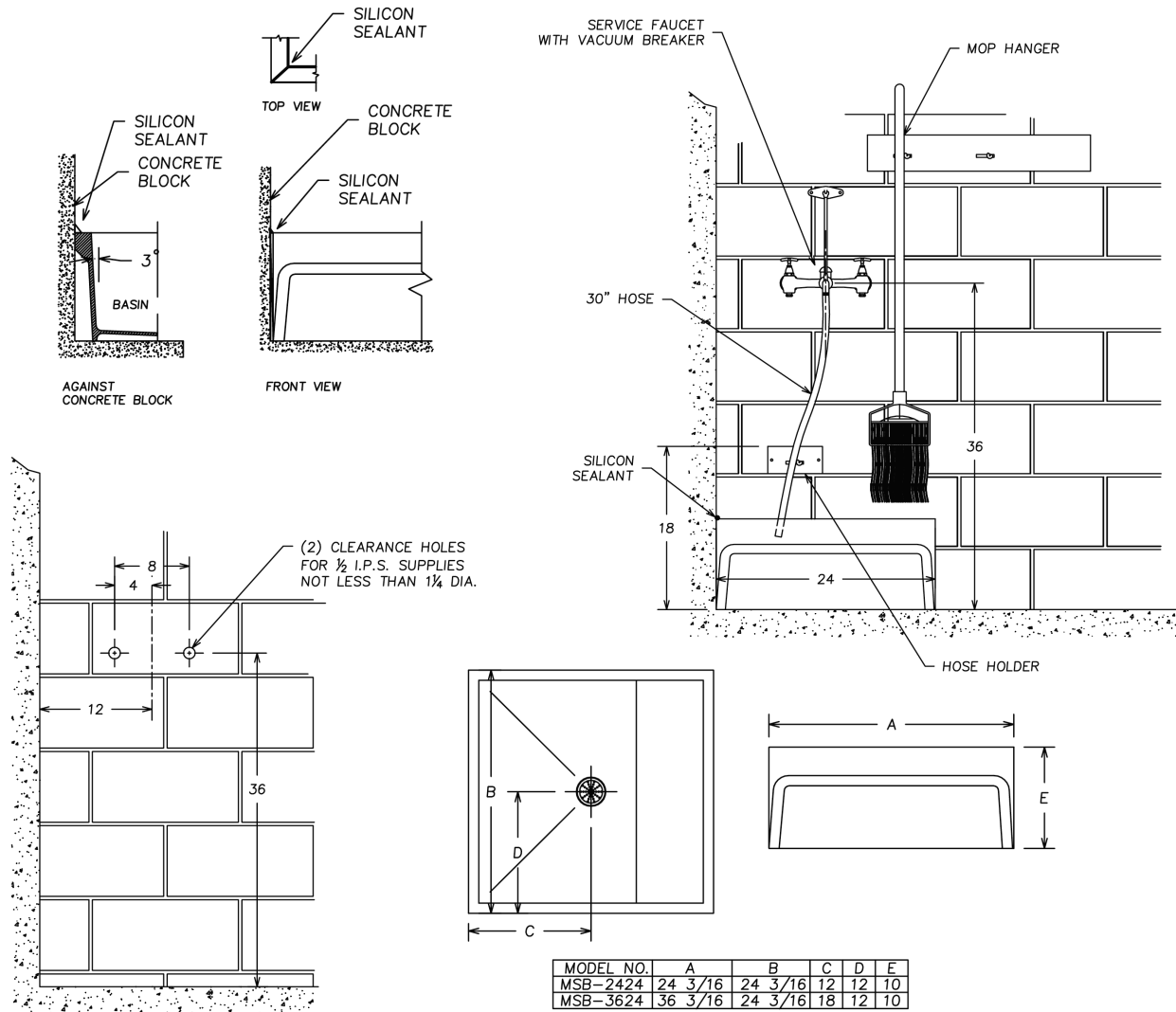
- IAPMO / ANSI Z124.6-2007
- ASME A112.18.2 / CSA B125.2
- CSA B45.5
- Made in U.S.A.



SEE REVERSE FOR ROUGH-IN DIMENSIONS

**Optional Components:**

- 830AA** Service Faucet:
  - Chrome plated with vacuum breaker, integral stops, adjustable wall brace, pail hook and 3/4" hose thread on spout
- 832AA** Hose & Hose Bracket
- 889CC** Mop Hanger
- MSG2424, MSG2828, MG3232, MSG3636, & MSG3624** Stainless Steel Wall Guard
- E77-AA** Vinyl Bumper Guard
- E88-AA** Stainless Steel Bumper Guard
- STR1000** Dome Strainer
- QDC-3XH** 3" Quick Drain Connector for attaching heavy cast iron soil pipe and Schedule 40 steel pipe to the drain body. Order separately.
- QDC-3SN** 3" Quick Drain Connector for attaching hubless cast iron pipe and service weight cast iron soil pipe to the drain body. Order separately.
- 833AA** Silicone Sealant



**IMPORTANT:** Rough-in dimensions may vary 1/2" and are subject to change or cancellation without prior notice.