

**TERRAZZO
12" MOP SERVICE BASIN
WITH 6" CURVED DROP FRONT**

- One piece, precast terrazzo made of black and white marble chips in gray portland cement to produce a compressive strength not less than 3000 P.S.I. seven days after casting.
- Terrazzo surface shall be ground and polished with all air holes or pits grouted and excess removed.
- Shoulders shall be not less than 12" high outside, 10" inside at lowest wall and 6" high drop front.
- Shoulder width not less than 1-1/2" on all sides with a 1/4" pitch towards the inside.
- Standard drain body is stainless steel cast integrally and provides for a caulked lead connection not less than 1" deep to a 3" pipe.
- Stainless steel strainer # 1453BB
- Made in the U.S.A.

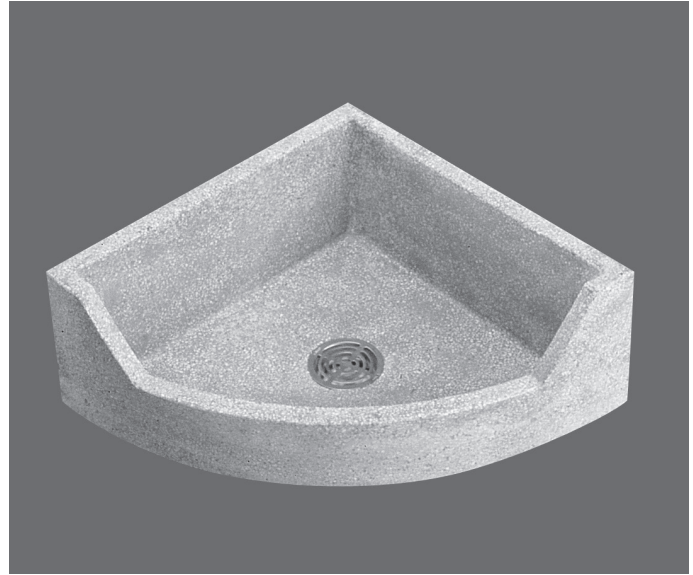
Options:

- QDC quick drain connectors
- Stainless steel tiling flanges available with up-charge. Must be custom order.
- Chrome plated brass drain or Vandal proof drain. Must be custom order.

- TSBCR1000 Series** with plain curbs only
- TSBCR1100 Series** with stainless steel cap on threshold only

Optional Components:

- 830AA** Mop Service Basin Fitting
- 832AA** Hose & Hose Bracket
- 889CC** Mop Hanger
- 833AA** Silicone Sealant
- MSG** Wall Guards - Stainless Steel
 - Wall Guards are manufactured of heavy gauge stainless steel and help protect walls adjacent to Mop Basin. Two panels are required for corner installations. Optional third panel is required for a recessed installation. (MSG2828)



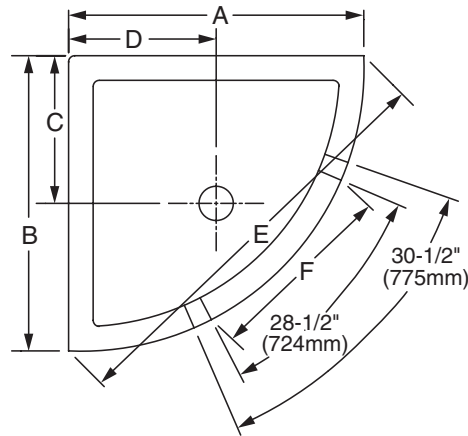
Shown: TSBCR1000

SEE REVERSE FOR ROUGHING-IN DIMENSIONS

INSTALLATIONS: Terrazzo Mop Basins must be installed on a 1/2" layer of mortar in order that the mop basin be level and to prevent cracking. Failure to install terrazzo without a mortar bed will void the warranty. Installations require a 1/4" clearance between mop basin and wall.

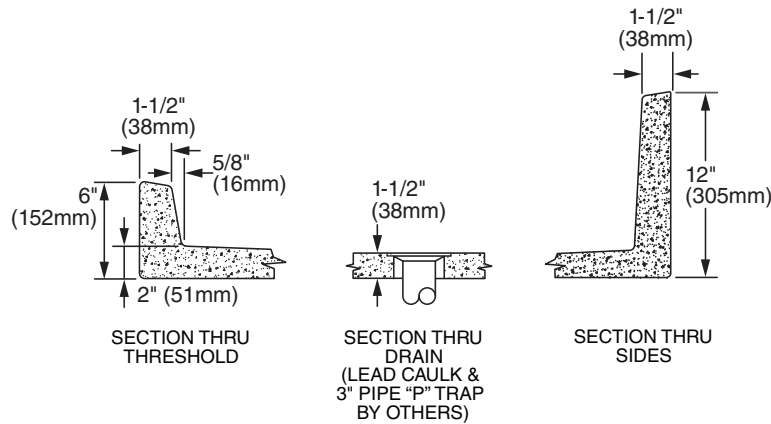
IMPORTANT: Rough-in dimensions may vary 1/2" (13mm) and are subject to change or cancellation without prior notice.

CERTIFICATIONS: All models are CUPC Listed 



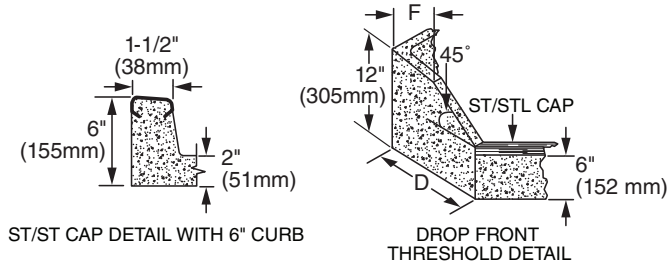
TSBCR1000 Series With Plain Curbs Only

MODEL	SIZE	A	B	C	D	E	F
TSBCR1000	28" x 28" x 12"	28	28	12	12	44	28-1/2



TSBCR-1100 Series
With Stainless Steel Cap On Threshold Only

MODEL	SIZE	A	B	C	D	E	F
TSBCR1100	28" x 28" x 12"	28	28	12	12	44	28-1/2



IMPORTANT: Roughing in dimensions may vary 1/2" and are subject to change or cancellation without prior notice.