

**TERRAZZO
TTB2424 & TTB3624**

- One piece, precast terrazzo made of black and white marble chips in gray portland cement to produce a compressive strength not less than 3000 P.S.I. seven days after casting.
- Terrazzo surface shall be ground and polished with all air holes or pits grouted and excess removed.
- Shoulders shall be not less than 10" high outside and 8" inside at lowest wall.
- Shoulder width not less than 1-1/4" on all sides with a 1/2" pitch towards the inside.
- Standard drain body is stainless steel cast integrally and provides for a caulked lead connection not less than 1" deep to a 3" pipe.
- Made in the U.S.A.

NOMINAL DIMENSIONS:

- TTB2424** 24" x 24" (610 x 610mm)
- TTB3624** 36" x 24" (914 x 610mm)

Options:

- Custom sizes can be supplied, but are not carried in stock.
- Colors available: white marble chips in white cement.
- Optional vandal proof drain. Must go through the custom quoting process.

Optional Components:

- 830AA** Mop Service Basin Fitting
- 832AA** Hose & Hose Bracket
- 889CC** Mop Hanger
- 1239BB** Aluminum Bumperguard with Vinyl Insert
- 833AA** Silicone Sealant
- MSG** Wall Guards - Stainless Steel
 - Wall Guards are manufactured of heavy gauge stainless steel and help protect walls adjacent to Mop Basin. Two panels are required for corner installations. Optional third panel is required for a recessed installation. (MSG24, MSG2424; MSG3624)



Shown: TTB2424

SEE REVERSE FOR ROUGHING-IN DIMENSIONS

INSTALLATIONS: Terrazzo Mop Basins **must** be installed on a 1/2" layer of mortar in order that the mop basin be level and to prevent cracking. Failure to install terrazzo without a mortar bed will void the warranty. Installations require a 1/4" clearance between mop basin and wall.

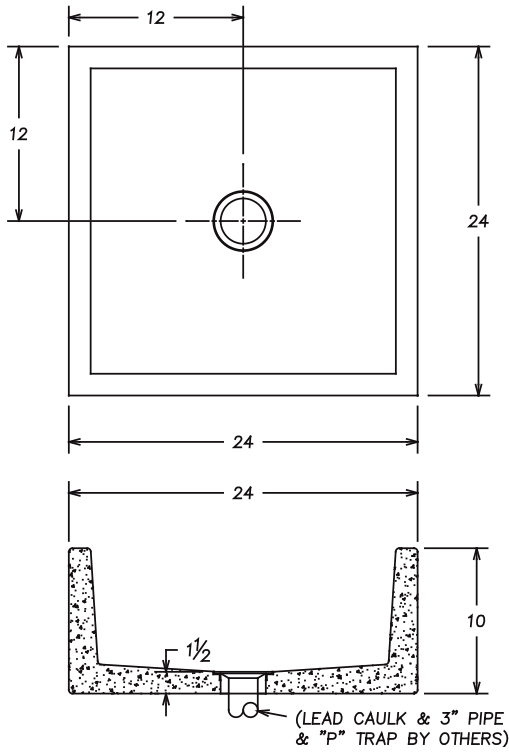
IMPORTANT: Rough-in dimensions may vary 1/2" (13mm) and are subject to change or cancellation without prior notice.

CERTIFICATIONS:

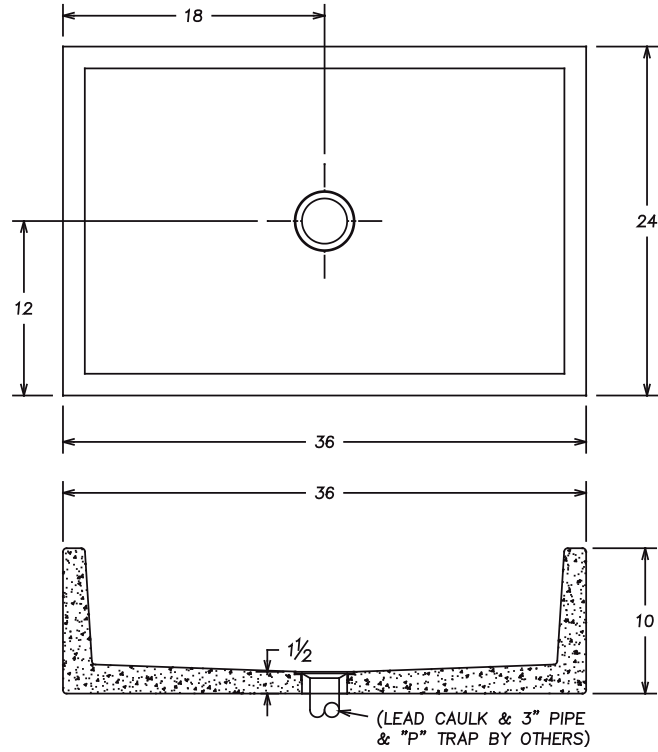
All models are CUPC Listed



TTB2424



TTB3624



IMPORTANT: Roughing-in dimensions may vary $\frac{1}{2}$ " and are subject to change or cancellation without prior notice.

Establish $\frac{1}{4}$ " clearance between mop basin and wall. It is important that the entire area between the mop basin and the building floor have a layer of mortar in order that the mop basin be level.