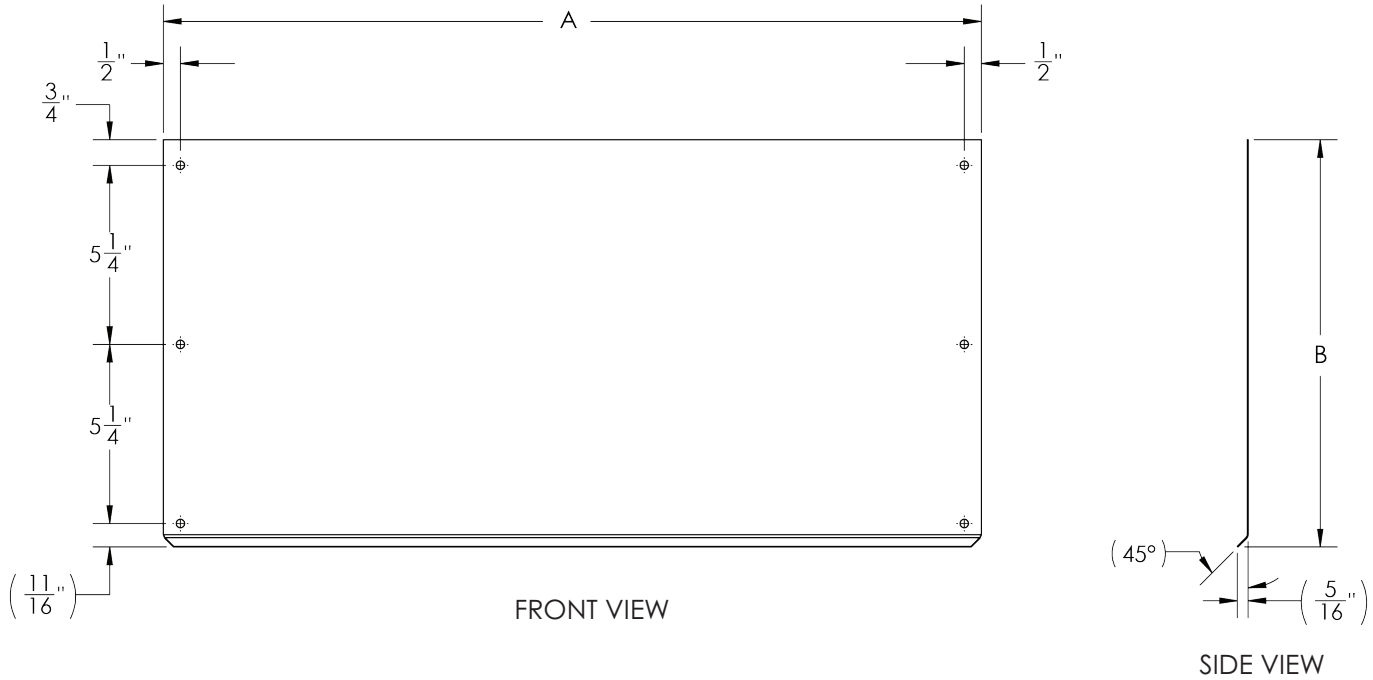


**MSG2424, MSG2828 MSG3232, MSG3636 &
MSG3624 Stainless Steel Splash Guards**

- FIAT Products Splash Guards are great for containing water splashes within any utility sink area
- Durable and maintenance free, 24 gauge 304 stainless steel material
- Splash Guards play a crucial role in averting potential water damage which can lead to high maintenance costs later on
- Provides for wall protection against everyday use
- Stainless steel is virtually unaffected by most acidic or alkaline substances which may deteriorate guards of other materials
- See back for ordering options
- Custom sized solutions available upon request





MODEL	DESCRIPTION	A (in)	B (in)
MSG24	Single Panel Stainless Steel Splash Catcher 24" W x 12" H	24" (610 mm)	12" (305 mm)
MSG2424	Two Panel-One Corner Stainless Steel Splash Catcher 24" W x 12" H	24" (610 mm)	12" (305 mm)
MSG28	Single Panel Stainless Steel Splash Catcher 28" W x 12" H	28" (711 mm)	12" (305 mm)
MSG2828	Two Panel-One Corner Stainless Steel Splash Catcher 28" W x 12" H	28" (711 mm)	12" (305 mm)
MSG32	Single Panel Stainless Steel Splash Catcher 32" W x 12" H	32" (813 mm)	12" (305 mm)
MSG3232	Two Panel-One Corner Stainless Steel Splash Catcher 32" W x 12" H	32" (813 mm)	12" (305 mm)
MSG36	Single Panel Stainless Steel Splash Catcher 36" W x 12" H	36" (914 mm)	12" (305 mm)
MSG3636	Two Panel-One Corner Stainless Steel Splash Catcher 36" W x 12" H	36" (914 mm)	12" (305 mm)
MSG3624	Two Panel-One Corner Stainless Steel Splash Catcher 24" W x 36" W x 12" H	24", 36" (610, 914 mm)	12" (305 mm)

