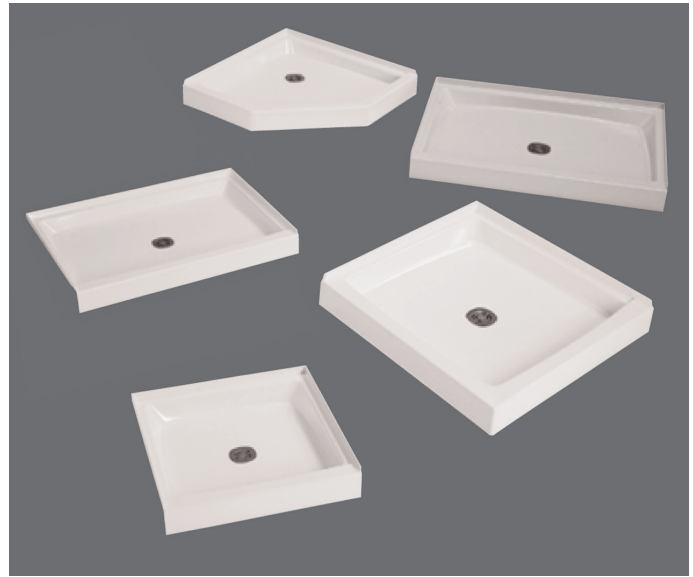
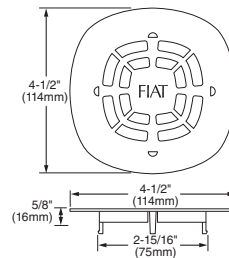


CASCADE® SHOWER FLOOR
WL / WLC / WLD SERIES

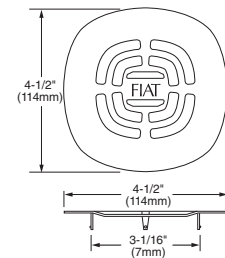
- Durable Molded Stone® construction that delivers a non-porous material resistant to mold and mildew, exceptional strength with molded in support structure, color throughout the product, superior resistance to scratching and staining, plus fire retarding properties.
- Bases are manufactured with a permanent slip resistant surface that will not trap or impede water flow.
- Bases are produced with an integral drain and includes a plastic strainer.
- Available in single and double threshold and neo-corner.
- QIC2000 Quick Connect Gasket Included
- Quick Connect Gasket applications listed in table below
- The shoulder shall be not less than 3 -1/16" high or less than 1-1/2" wide. The tiling flange shall extend not less than 1-1/2" above the shoulder and shall be not less than 1" higher than the threshold providing an integrally molded water barrier. The threshold shall be not less than 4-3/4" high (see following table).
- STRWL000: 3" Stainless Steel strainer (Not Included) 00242604100: 3" Plastic color matched strainer (included).
- Available in White only.



SEE REVERSE FOR ROUGH-IN DIMENSIONS



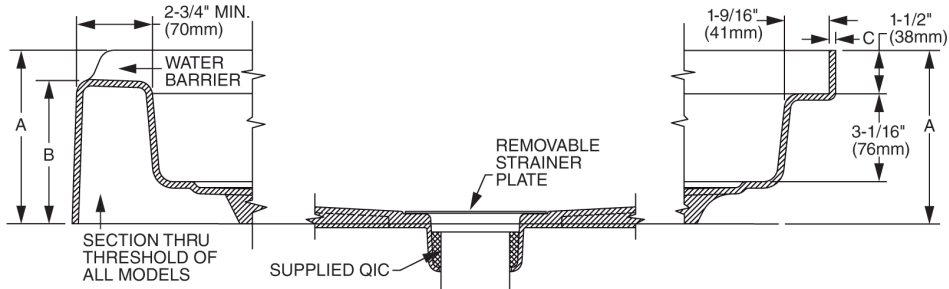
**3" Stainless Steel
Strainer Plate
STRWL000**



**3" Plastic Strainer Plate
White
00242604100**

MODEL	SIZE	MODEL	SIZE
32WL	32" x 32"	4832WL	48" x 32"
34WL	34" x 34"	54WL	54" x 34"
36WL	36" x 36"	60WL	60" x 34"
42WL	42" x 34"	36WLC	36" x 36" Neo-Corner
4242WL	42" x 42"	36WLD	36" x 36" Double Threshold
48WL	48" x 34"	38WLC	38" x 38" Neo-Corner

GASKET	HEIGHT	O.D.	I.D.	FOR USE WITH
QIC2000	1.000	3.050	2.270	2.375 O.D. Pipe
QIC2CP000	1.175	3.080	2.00	2.125 O.D. Copper Pipe



NOTE: Quick Drain connector, QIC-2, is supplied with each floor, for use as a drain caulk to replace the lead caulk process (as desired).

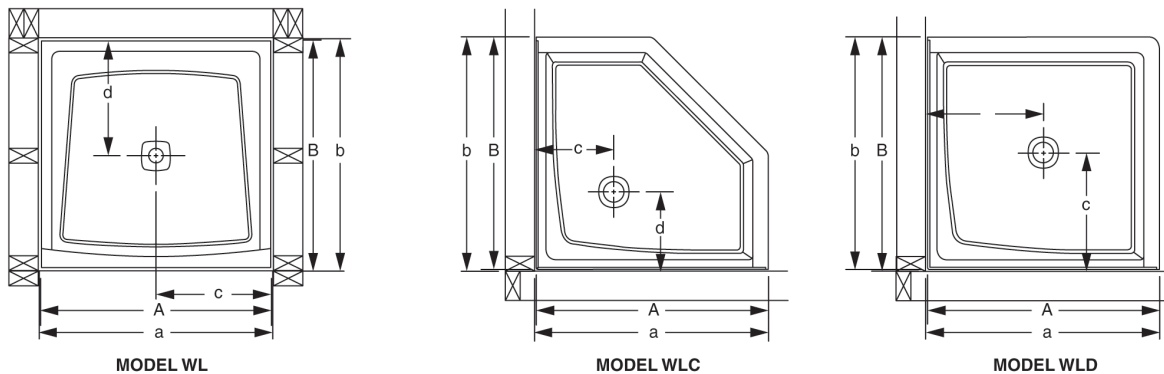
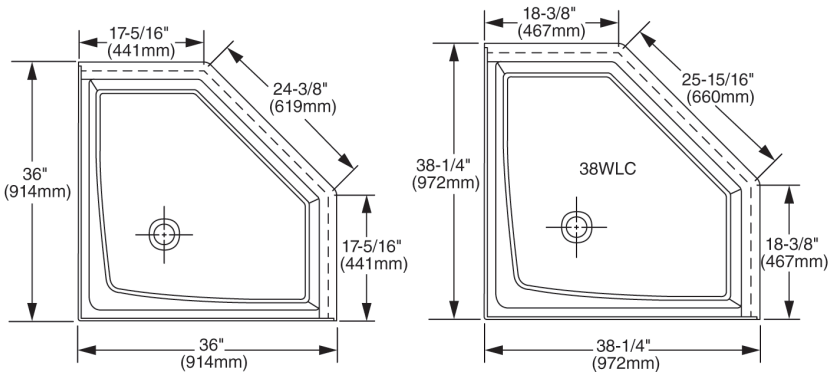
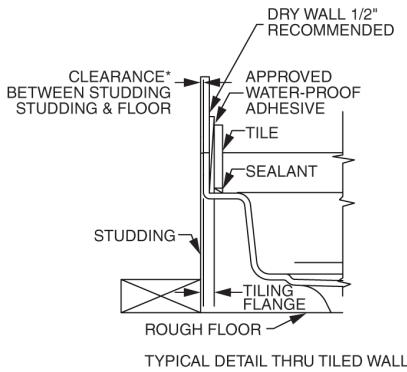
**BY OTHERS
2" PIPE **
AND "P" TRAP

Dimensions in Inches

MODEL	NOMINAL SIZE		ACTUAL SIZE ± 1/16		ROUGHING-IN DIMENSIONS				APPROX. SHIPPING WT. lbs.
	A	B	A	B	a	b	c	d	
32WL	32	32	32	32	32-3/8	32-3/16	16-3/16	16-1/8	29
34WL	34	34	34-1/4	34-1/4	34-5/8	34-7/16	17-5/16	17-1/4	31
36WL	36	36	36	36	36-3/8	36-3/16	18-3/16	18-1/8	34
42WL	42	34	42	34	42-3/8	34-3/16	21-3/16	17-1/8	36
4242WL	42	42	42	42	42-3/4	42-1/4	21-1/8	21-1/8	48
48WL	48	34	48	34	48-3/8	34-3/16	24-3/16	17-1/8	42
54WL	54	54	54-3/8	34-1/4	54-11/16	34-9/16	27-3/8	17-5/16	47
60WL	60	34	60	34	60-3/8	34-3/16	30-3/16	17-1/8	51
36WLD	36	36	36-1/4	36-1/4	36-7/16	36-7/16	18-1/4	18-1/4	36
36WLC	36	36	36	36	36-1/4	36-1/4	12-1/4	12-1/4	39
38WLC	38	38	38-1/4	38-1/4	38-7/16	38-7/16	12-5/16	12-5/16	39
4832WL	48	32	48-3/16	32-1/8	48-1/2	32-1/4	24-1/4	16-1/8	41

*1/4" to 5/16" for Models 32WL, 36WL, 48WL, 60WL
1/8" to 3/16" for all other models

MODEL	TABLE (SEE FIG. 1)		
	A	B	C
32WL	6	5	7/32
34WL	6	5	5/16
36WL	5-7/8	4-3/4	7/32
42WL	6	5	7/32
48WL	5-7/8	4-3/4	7/32
54WL	6	5	5/16
60WL	6	5	7/32
36WLD	6	5	5/16
38WLC	6	5	5/16
4832WL	6	5	5/16



IMPORTANT: Rough-in dimensions may vary 1/2" and are subject to change or cancellation without prior notice.