

DL1100 DROP-IN-SINK®

Fiat Products uses a specialized SMC process (Molded Stone®) to manufacture all laundry tubs. Moldings are manufactured in matched metal dies under heat and pressure resulting in a one-piece homogeneous molded unit. Drain with stopper is furnished as standard equipment. Water capacity is 19 gallons. Laundry sinks available in white only.

- All products must be installed in accordance with installation instructions provided. Failure to do so may invalidate warranty at manufacturer's discretion.

DL1100 DROP-IN-SINK®

- Designed for a countertop installation.
- Self-rimming flange, four locking corner bars and screws (included) for fast tightening into integral molded mounting feet and against the underside of the countertop.

Nominal Dimensions:

Overall Outside Dimensions:

24.5" x 22" x 13.88" (622 x 559 x 353mm)

Inside Compartment dimensions

22" x 17" x 12.88" (559 x 432 x 327mm)

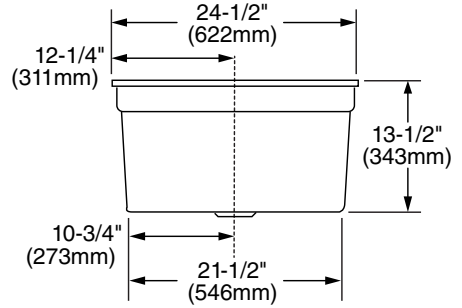
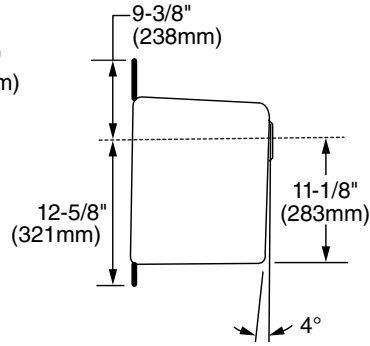
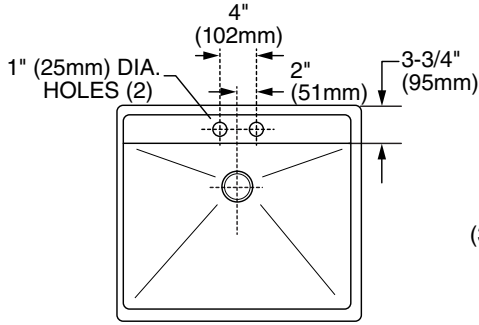
**All products are cUPC listed
CSA Approved**



DL1100 DROP-IN-SINK®

SEE REVERSE FOR ROUGHING-IN DIMENSIONS

MODEL DL1100



IMPORTANT: Roughing-in dimensions may vary 1/2" and are subject to change or cancellation without prior notice.