

**MOLDED-STONE® SERV-A-SINK®  
TWIN COMPACT LAUNDRY TUBS**

Fiat Products uses a specialized SMC process (Molded Stone®) to manufacture all laundry tubs. Moldings are manufactured in matched metal dies under heat and pressure resulting in a one-piece homogeneous molded unit.

**FLTD II Floor Mounted Serv-A-Sink®**

- Supported by steel painted angle legs that slip into molded retainers and/or sockets for rigid friction fit.
- Legs are supplied with leveling devices.
- Includes drain assembly, strainers and drain plugs.
- 4" (102mm) or 8" (203mm) knockout center set faucet holes which are field drilled.
- Made in the USA.

**Nominal Dimensions:**

Overall Outside Dimensions:

40" x 24" x 33-3/4" (1016 x 610 x 857mm)

Inside Dimensions (each compartment):

18-5/8" x 18-5/8" x 11-1/4" (457 x 457 x 279mm)

**Shipping Weight:**

37.5lbs. (17 Kg)

**LTD II Wall Hung Serv-A-Sink®**

- Supported by two mounting brackets of heavy gauge galvanized steel capable of being secured to the wall with mechanical fasteners. (Included).
- Side fillers, which are assembled in the field to the mounting brackets, are made of white molded plastic polymer.
- Includes drain assembly, strainers and drain plugs.
- 4" (102mm) or 8" (203mm) knockout center set faucet holes which are field drilled.
- Made in the USA

**Nominal Dimensions:**

Overall Outside Dimensions:

40" x 24" x 13-7/8" (1016 x 610 x 352mm)

Inside Dimensions (each compartment):

18-5/8" x 18-5/8" x 11-1/4" (457 x 457 x 279mm)

**Shipping Weight:**

34.5lbs. (15.6 Kg)



Shown: FLTDII

SEE REVERSE FOR ROUGHING-IN DIMENSIONS

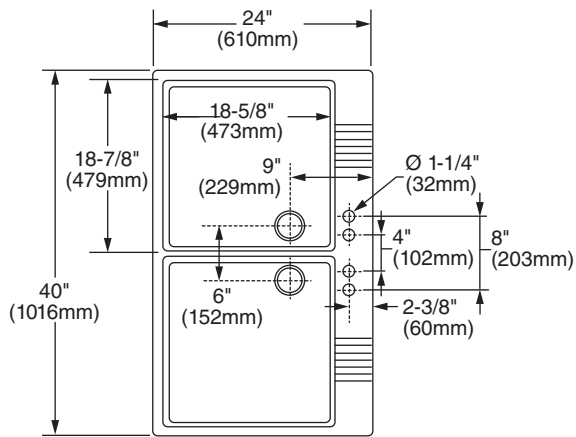
**Optional Components**

- A1** Deck type faucet - 4" (102mm) center set with 6-3/4" ( 171mm) spout
- A2** Overflow pipe with "O" ring to fit 1-1/2" strainer.
- A17** Faucet for top supplies. Clamps on with swing spout and angled nose end.

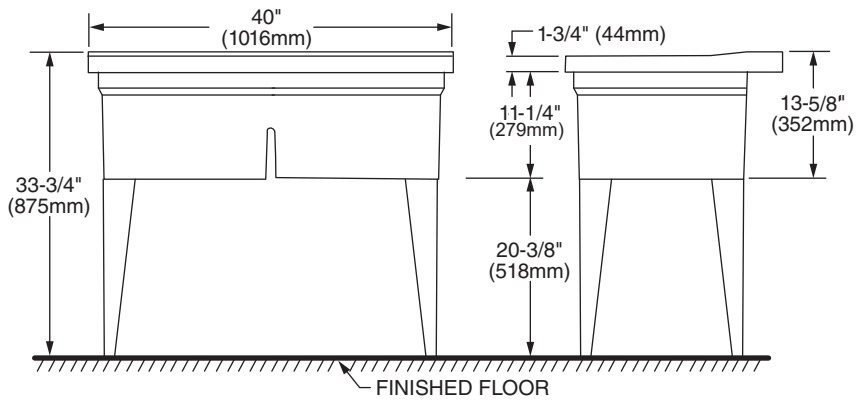
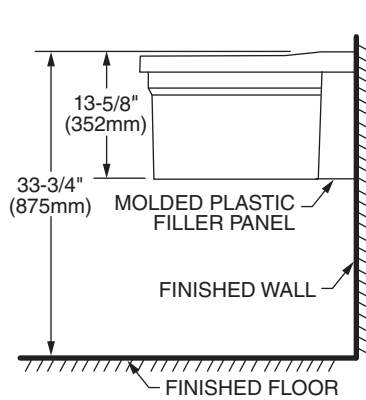
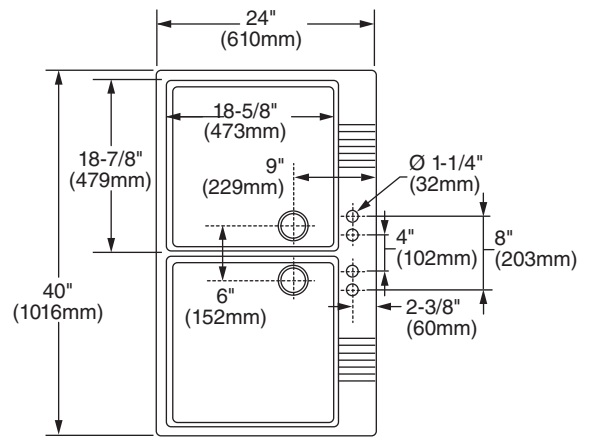
**All products are cUPC listed**



**MODEL LTD II  
WALL HUNG**



**MODEL LTD II  
FLOOR MOUNTED**



**IMPORTANT:** Roughing-in dimensions may vary 1/2" and are subject to change or cancellation without prior notice.