

**6" TERRAZZO MOP SERVICE BASIN
SB & SBC SERIES**

- One piece, precast terrazzo made of black and white marble chips in gray portland cement to produce a compressive strength not less than 3000 P.S.I. seven days after casting.
- Terrazzo surface shall be ground and polished with all air holes or pits grouted and excess removed.
- Shoulders shall be not less than 6" high outside and 4" inside at lowest wall.
- Shoulder width not less than 2" on all sides with a 1/4" pitch towards the inside.
- Standard drain body is stainless steel cast integrally and provides for a caulked lead connection not less than 1" deep to a 3" pipe.
- Stainless steel strainer # 1453BB
- Made in the U.S.A.

Options:

- QDC quick drain connectors
- Stainless steel tiling flanges available with up-charge. Must be custom order.
- Vandal proof drain. Must be custom order.
- Stainless steel caps available with up-charge. Must be custom order.

- SB Series** (with plain curbs):
SB2424, SB3030, SB3232, SB3624, SB3636
- SBC Series** (with plain curbs):
SBC3636

Optional Components:

- 830AA** Mop Service Basin Fitting
- 832AA** Hose & Hose Bracket
- 889CC** Mop Hanger
- 1239BB** Aluminum Bumper guard with Vinyl Insert
- 833AA** Silicone Sealant
- MSG** Wall Guards - Stainless Steel
 - Wall Guards are manufactured of heavy gauge stainless steel and help protect walls adjacent to Mop Basin. Two panels are required for corner installations. Optional third panel is required for a recessed installation. (MSG2424; MSG3232; MSG3624; MSG3636)
- FITF-24** Field Installable Tiling Flange, 24"
- FITF-36** Field Installable Tiling Flange, 36"



Shown: SB2424

SEE REVERSE FOR ROUGHING-IN DIMENSIONS

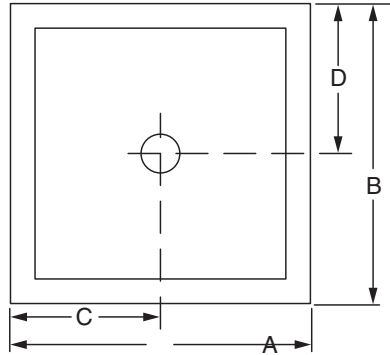
INSTALLATIONS: Terrazzo Mop Basins **must** be installed on a 1/2" layer of mortar in order that the mop basin be level and to prevent cracking. Failure to install terrazzo without a mortar bed will void the warranty. Installations require a 1/4" clearance between mop basin and wall.

IMPORTANT: Rough-in dimensions may vary 1/2" (13mm) and are subject to change or cancellation without prior notice.

CERTIFICATIONS:

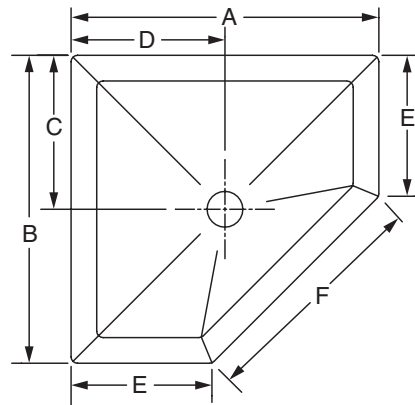
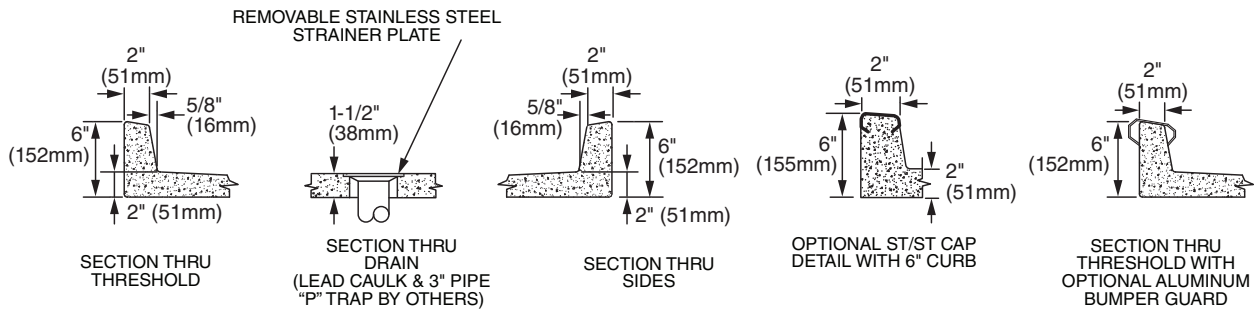
Meets requirements CSA B45.8-18 / IAPMO Z403-2018.
All models are CUPC listed





Series SB
With Plain Curbs

MODEL	SIZE	A	B	C	D
SB2424	24" x 24" x 6"	24	24	12	12
SB3030	30" x 30" x 6"	30	30	15	15
SB3232	32" x 32" x 6"	32	32	16	16
SB3636	36" x 36" x 6"	36	36	18	18
SB3624	36" x 24" x 6"	36	24	18	12



Series SBC3636 With Plain Curbs

MODEL	SIZE	A	B	C	D	E	F
SBC3636	36" x 36" x 6"	36	36	12	12	18	25-3/8

IMPORTANT: Roughing in dimensions may vary 1/2" and are subject to change or cancellation without prior notice.