

**TERRAZZO  
12" MOP SERVICE BASIN  
WITH 6" DROP FRONT**

- One piece, precast terrazzo made of black and white marble chips in gray portland cement to produce a compressive strength not less than 3000 P.S.I. seven days after casting.
- Terrazzo surface shall be ground and polished with all air holes or pits grouted and excess removed.
- Shoulders shall be not less than 12" high outside, 10" inside at lowest wall and a 6" high drop front.
- Shoulder width not less than 2" on all sides with a 1/4" pitch towards the inside.
- Standard drain body is stainless steel cast integrally and provides for a caulked lead connection not less than 1" deep to a 3" pipe.
- Stainless steel strainer # 1453BB
- Made in the USA.

**Options:**

- QDC quick drain connectors
- Stainless steel tiling flanges available with up-charge. Must be custom order.
- Vandal proof drain. Must be custom order.

- TSB3000, TSB3001, TSB3002, TSB3003 Series** with stainless steel caps on all curbs
- TSB3010, TSB3011, TSB3012, TSB3013 Series** with stainless steel caps on thresholds only

**Optional Components:**

- 830AA** Mop Service Basin Fitting
- 832AA** Hose & Hose Bracket
- 889CC** Mop Hanger
- 1239BB** Aluminum Bumperguard with Vinyl Insert
- 833AA** Silicone Sealant
- MSG** Wall Guards - Stainless Steel
  - Wall Guards are manufactured of heavy gauge stainless steel and help protect walls adjacent to Mop Basin. Two panels are required for corner installations. Optional third panel is required for a recessed installation. (MSG2424; MSG2828; MSG3232; MSG3624; MSG3636)
- FITF-24** Field Installable Tiling Flange, 24"
- FITF-36** Field Installable Tiling Flange, 36"



Shown: TSB3000

SEE REVERSE FOR ROUGHING-IN DIMENSIONS

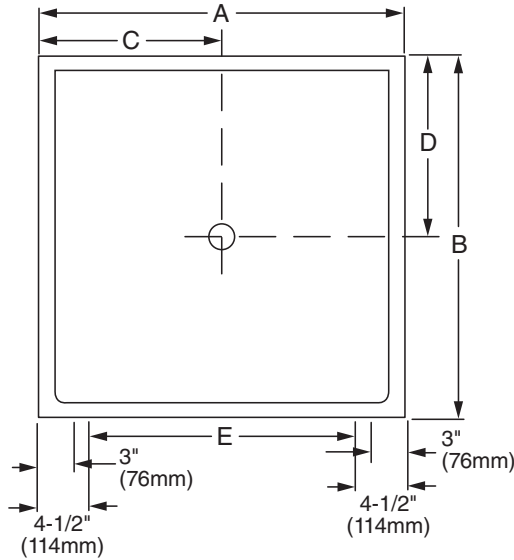
**INSTALLATIONS:** Terrazzo Mop Basins **must** be installed on a 1/2" layer of mortar in order that the mop basin be level and to prevent cracking. Failure to install terrazzo without a mortar bed will void the warranty. Installations require a 1/4" clearance between mop basin and wall.

**IMPORTANT:** Rough-in dimensions may vary 1/2" (13mm) and are subject to change or cancellation without prior notice.

**CERTIFICATIONS:**

Meets requirements CSA B45.8-18 / IAPMO Z403-2018. All models are CUPC listed



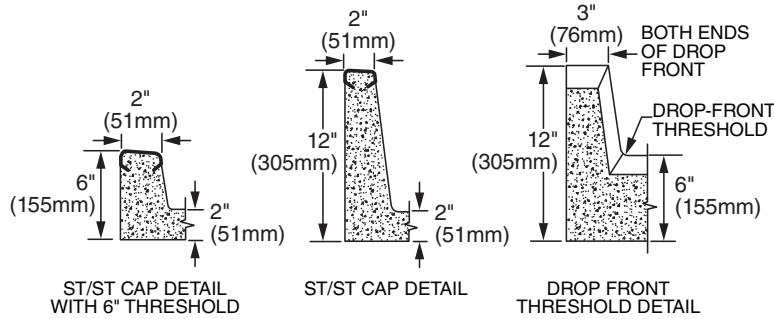


Series TSB3000  
With Stainless Steel Caps On All Curbs

MODEL	SIZE	A	B	C	D	E
TSB3000	24" x 24" x 12"	24	24	12	12	15
TSB3001	32" x 32" x 12"	32	32	16	16	23
TSB3002	36" x 36" x 12"	36	36	18	18	27
TSB3003	36" x 24" x 12"	36	24	18	12	27

Series TSB3010  
With Stainless Steel Threshold Only

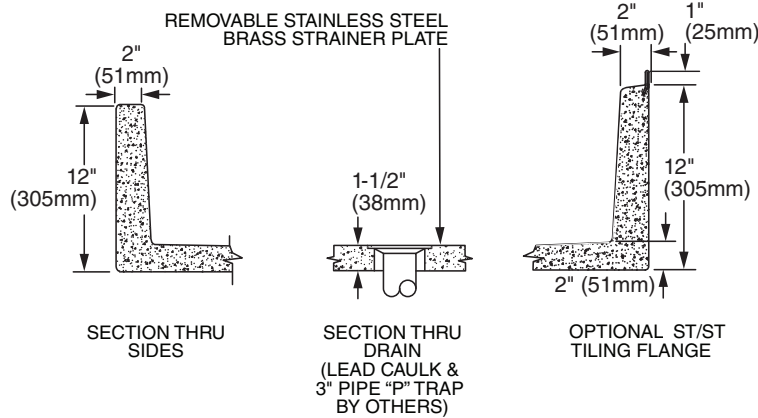
MODEL	SIZE	A	B	C	D	E
TSB3010	24" x 24" x 12"	24	24	12	12	15
TSB3011	32" x 32" x 12"	32	32	16	16	23
TSB3012	36" x 36" x 12"	36	36	18	18	27
TSB3013	36" x 24" x 12"	36	24	18	12	27



ST/ST CAP DETAIL WITH 6" THRESHOLD

ST/ST CAP DETAIL

DROP FRONT THRESHOLD DETAIL



SECTION THRU SIDES

SECTION THRU DRAIN  
(LEAD CAULK & 3" PIPE "P" TRAP BY OTHERS)

OPTIONAL ST/ST TILING FLANGE

MODELS TSB3010, TSB3011, TSB3012 AND TSB3013 SHALL BE SUPPLIED WITH STAINLESS STEEL CAP ON DROPPED THRESHOLD CURB ONLY.

**IMPORTANT:** Roughing in dimensions may vary 1/2" and are subject to change or cancellation without prior notice.