

**TERRAZZO WHEELCHAIR
SHOWER RECEPTOR**

- Precast terrazzo one piece products are made of black and white marble chips cast in white portland cement to produce a compressive strength of not less than 3000 P.S.I., seven days after casting.
- Terrazzo surface is ground and polished with all air holes and/or pits to be grouted and excess removed.
- Tiling flange, cast integral, is of stainless steel and shall extend not less than 1" (25mm) above the shoulder.
- Shoulder shall not be less than 4" (102mm) high inside, and 6" high outside, with a min of 1-1/2" (38mm) wide.
- The stainless steel drain body is cast integrally into the shower floor and sized for a gasket or provide for a caulked lead connection not less than 1" (25mm) deep to a 2" (51mm) pipe.
- Terrazzo wheelchair receptor with stainless steel ramp.
- Removable type stainless steel strainer plate.
- Quick drain connection using a QDC-4 connector can also be used.
- All models are UPC listed.

NOMINAL DIMENSIONS:

- ☐ **ADAWN3636** 41.23" x 38.38" (1047 x 975mm)
- ☐ **ADAWN6030** 65.23" x 32.62" (1657 x 921mm)
- ☐ **ADAWN6036** 65.23" x 38.38" (1657 x 975mm)

OPTIONS:

- Custom sizes available. Must go through custom quoting process.
- Specify color combination (black and white marble chips in white cement is standard). Colors available: white marble chips in white cement.
- Optional vandal proof drain. Must go through the custom quoting process.
- QDC4000 Quick Connect gasket for use with 2.375 O.D. pipe.



SEE REVERSE FOR ROUGH-IN DIMENSIONS

INSTALLATIONS:

Establish 1/4" clearance between shower floor and wall. It is required that the entire area between the receptor and the building floor have a 1/2" layer of mortar in order that shower floors be level.

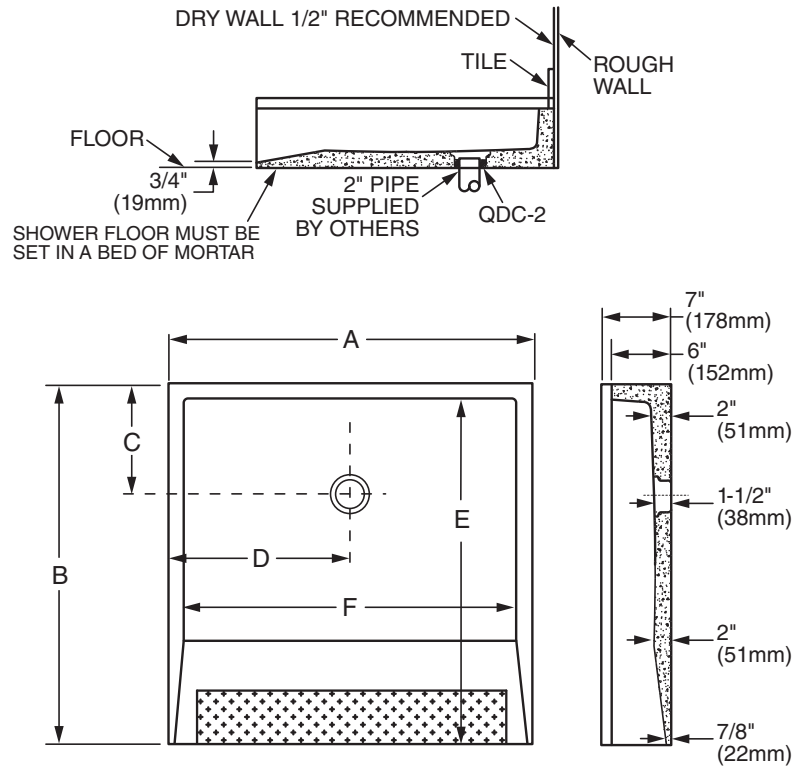
It is recommended that a floor drain be installed at or near the entrance of the shower.

IMPORTANT: Rough-in dimensions may vary 1/2" (13mm) and are subject to change or cancellation without prior notice.

CERTIFICATIONS:

Meets requirements CSA B45.8-18 / IAPMO Z403-2018. All models are CUPC listed. Meets the Americans with Disabilities Act guidelines and ANSI A117.1 requirements for accessible and usable building facilities.





	OUTSIDE DIMENSIONS				INSIDE DIMENSIONS	
	A	B	C	D	E	F
◆ ADAWN-3636	41.23" (1047mm)	38.38" (975mm)	12.19" (310mm)	20.62" (524mm)	36" (914mm)	36" (914mm)
◆◆ ADAWN-6030	65.23" (1657mm)	32.62" (921mm)	12.19" (310mm)	32.62" (921mm)	30" (762mm)	60" (1542mm)
◆◆ ADAWN-6036	65.23" (1657mm)	38.38" (975mm)	12.19" (310mm)	32.62" (921mm)	36" (914mm)	60" (1542mm)

IMPORTANT: Rough-in dimensions may vary 1/2" and are subject to change or cancellation without prior notice



Meets the Americans with Disabilities Act guidelines and ANSI A117.1 requirements for accessible and usable building facilities. Thresholds must be 1/2" or less when inspected. Check local codes.

- ◆ 36" x 36" shower walls must measure 36" x 36" when inspected
- ◆◆ Shower walls must measure minimum of 60" x 30" when inspected