

**MOLDED STONE® INTEGRAL DRAIN
MOP SERVICE BASIN TO GO**

MSBIDTG2424

- Molding done in matched metal dies under heat and pressure resulting in a one-piece homogeneous product
- The unit has 10" high walls with no less than 1" wide shoulders
- Integral drain is molded into a one piece unit and designed to connect to a 3" (76mm) drain pipe with a QIC3XH gasket
- Stainless steel strainer included
- Includes 830AA faucet, 832AA hose and bracket, 889CC mop hanger bracket. QIC3XH 3" Quick Drain connector
- Made in U.S.A.

Nominal Dimensions:

24" x 24" x 10"
(610 x 610 x 254mm)

Shipping Weight:

35lbs. (15.9 Kg)

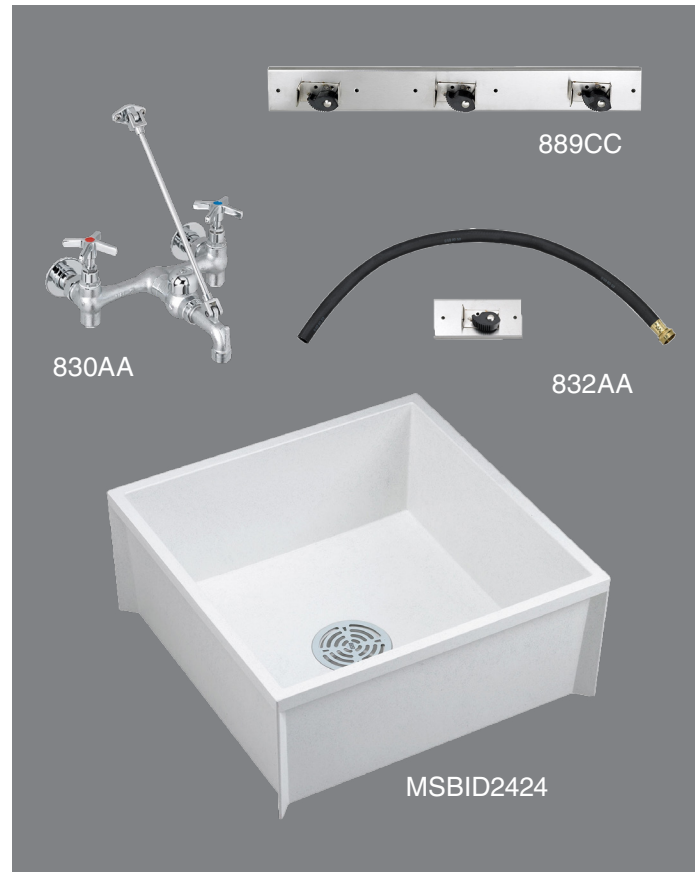
Optional Components:

- QIC32** Quick Drain Connector for 2" pipe. Order separately.
- QIC3SN** Quick Drain Connector for 3" cast iron soil pipe. Order separately
- 833AA** Silicone Sealant
- MSG2424** Stainless Steel Wall Guard

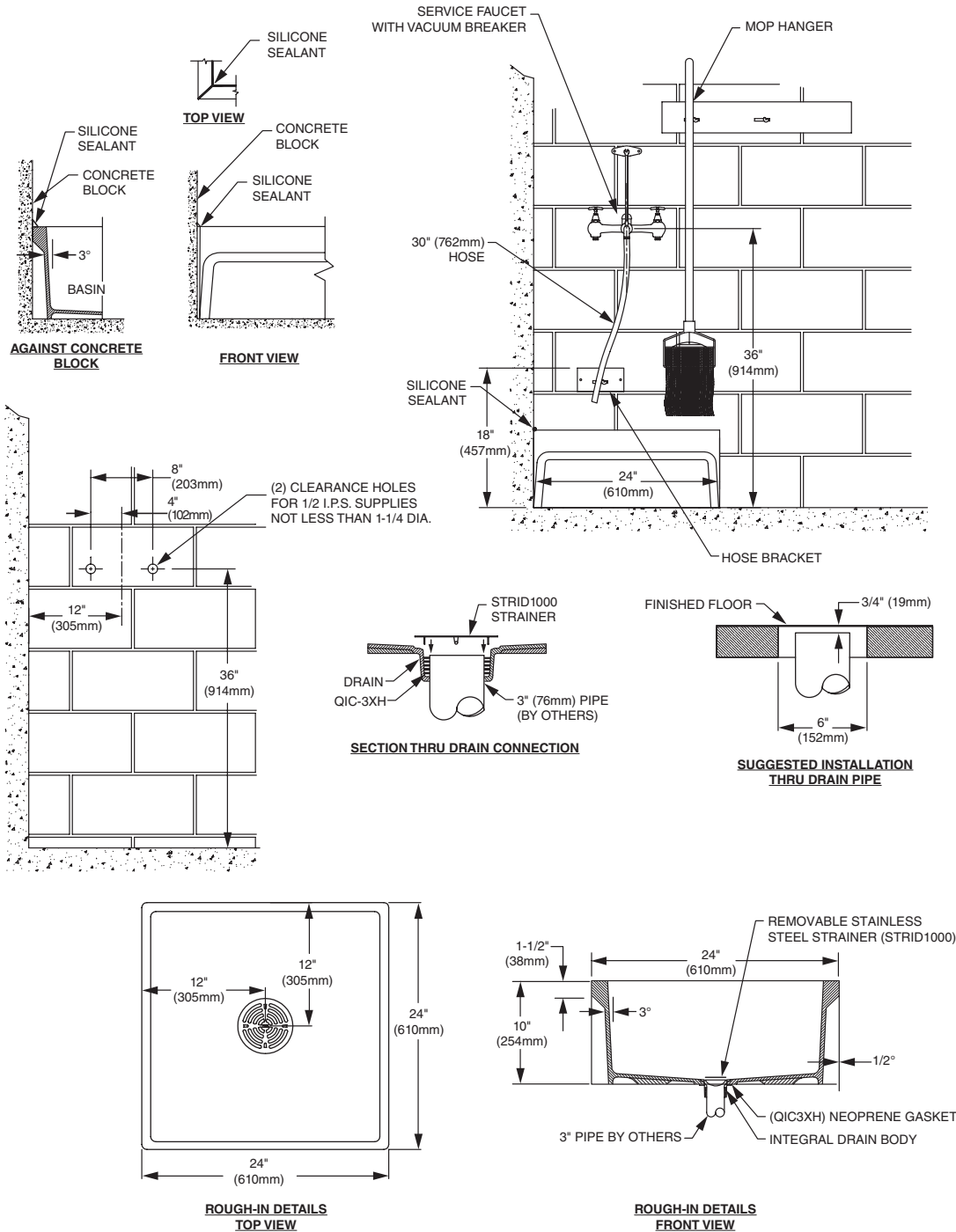
Compliance Certifications -

Meets or Exceeds the Following Specifications:

- IAPMO / ANSI Z124.6-2007
- ASME A112.18.2 / CSA B125.2
- CSA B45.5



SEE REVERSE FOR ROUGHING-IN DIMENSIONS



Installation Note : QIC32 Quick Drain Connector for 2" pipe or QIC3SN Quick Drain Connector for cast iron soil pipe must be ordered separately.

IMPORTANT: Roughing-in dimensions may vary 1/2" and are subject to change or cancellation without prior notice.

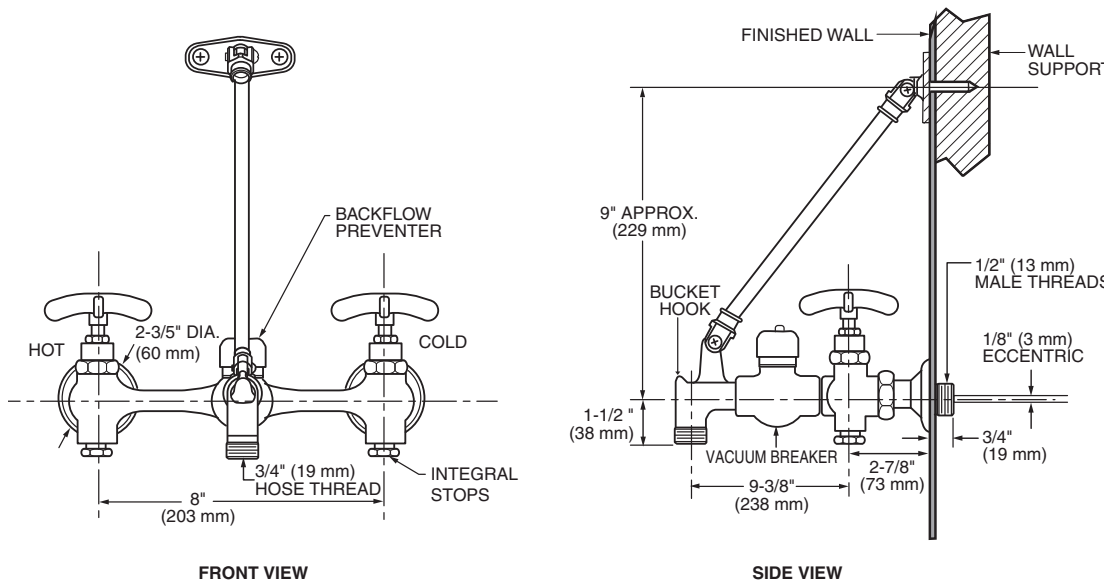
SERVICE SINK FAUCET

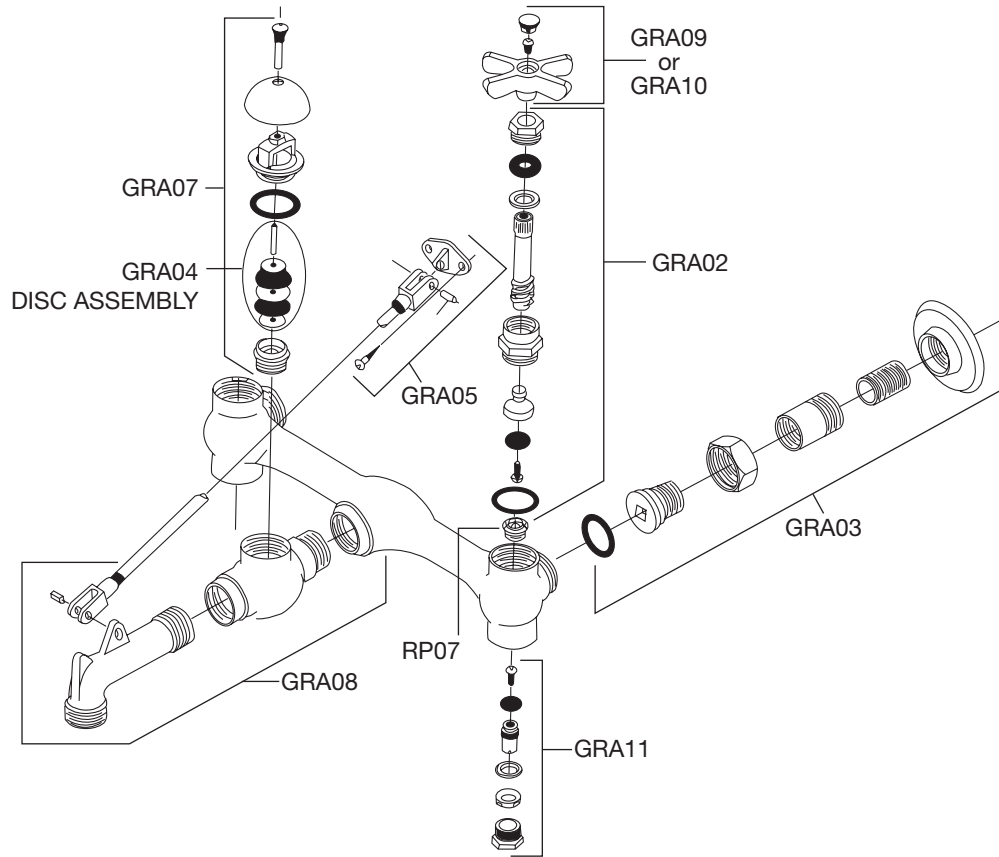
- Chrome plated with vacuum breaker, integral stops, adjustable wall brace, pail hook and 3/4" hose thread on spout
- Body inlets 8" center to center, four arm handles
- Valves contain renewable hub, renewable seats, swivel discs, encased washers and brass washer screws
- Commercial red brass alloy casting-rough finish
- Chrome plating exceeds requirements of ASTM B-456-71
- Indicators cold (blue) and hot (red) are included

Specifications and Codes:

- Meets or exceeds requirements of: ASME A112.18.1-2018 / CSA B125.1 Plumbing Supply Fittings
- ASSE 1001 / CSA B64.1.1 Atmospheric Type Vacuum Breakers

IMPORTANT: Rough-in dimensions may vary 1/4" (plus or minus) and are subject to change or cancellation without prior notice.

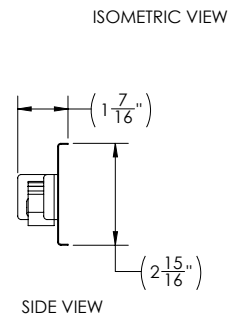
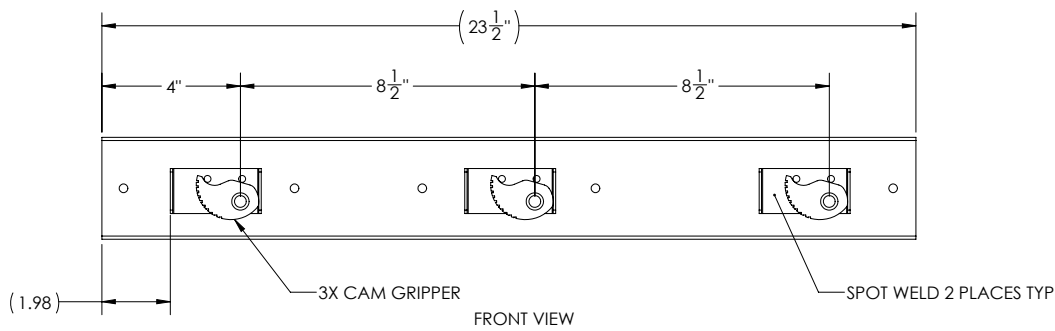




GROUP ASSEMBLY PART#	DESCRIPTION
GRA02000	Handle mounting group assembly — includes part number GRA02
GRA03000	Coupling assembly — includes part number GRA03
GRA05000	Brace assembly - includes part number GRA05
GRA07000	Vacuum breaker and disc assembly — includes part number GRA07
GRA09000	Handle assembly (cold) — includes part number GRA09
GRA10000	Handle assembly (hot) — includes part number GRA10
GRA11000	Integral stop assembly — includes part number GRA11
RP07000	Seat — one (1) per package.

889CC Mop Hanger

- Wall mounted stainless steel mop hanger is 24" long x 3" wide, with three (3) rubber tool grips that can hold onto a variety of handle size



832AA Hose and Hose Bracket

- A 30" long flexible, heavy duty 5/8" rubber hose. Cloth reinforced with 3/4" brass coupling at one end. Bracket is 5" long 3" wide, stainless steel with rubber grip

