

**MOLDED STONE® SERV-A-SINK®
SINGLE COMPARTMENT LAUNDRY TUBS**

Fiat Products uses a specialized SMC process (Molded Stone®) to manufacture these laundry tubs. Moldings are manufactured in matched metal dies under heat and pressure resulting in a one-piece homogeneous molded unit, which means there are no leak points.

- Water capacity is twenty (20) gallons.
- Pre-etched 4" (102mm) and 8" (203mm) knockout center set faucet holes which are field drilled.
- Made in the USA

FL7 Floor Mounted Serv-A-Sink®

- Supported by steel painted angle legs that slip into molded retainers and/or sockets for rigid friction fit.
- Legs are supplied with leveling devices.

Nominal Dimensions:

Overall Outside Dimensions:

19 7/8" x 23 7/8" x 33 1/2" (505 x 606 x 850mm)

Inside Compartment dimensions

17 3/4" x 19" x 11 1/4" (450 x 483 x 286mm)

Shipping Weight:

19.5lbs. (8.8 Kg)

L7 Wall Hung Serv-A-Sink®

- Supported by two heavy gauge galvanized steel mounting brackets capable of being secured to the wall with mechanical fasteners. (Included)
- Side fillers, made of white molded plastic polymer, assembled in the field to the mounting brackets.

Nominal Dimensions:

Overall Outside Dimensions:

19 7/8" x 23 7/8" x 13 1/2" (505 x 606 x 343mm)

Inside Compartment Dimensions

17 3/4" x 19" x 11 1/4" (450 x 483 x 286mm)

Shipping Weight:

17lbs. (7.7 Kg)

All products are cUPC listed



Shown: FL7



Shown: L7

SEE REVERSE FOR ROUGH-IN DIMENSIONS

Optional Components

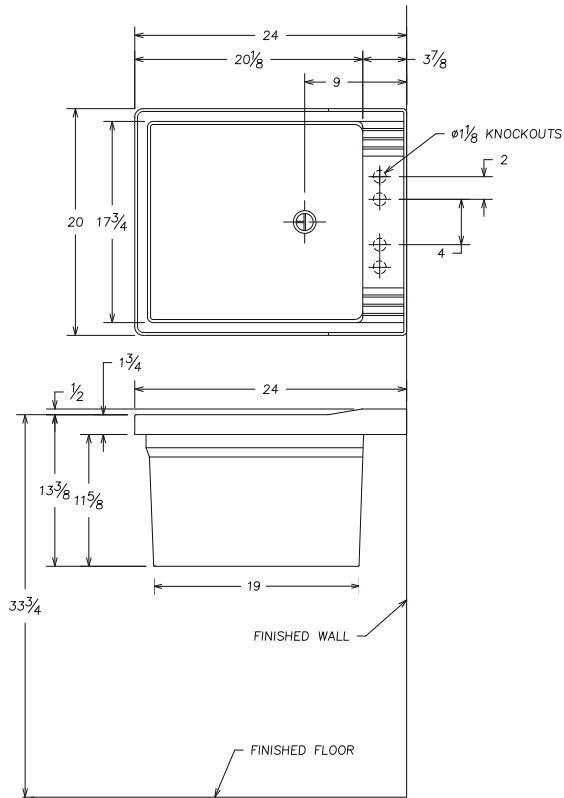
- A1** Deck type faucet - 4" (102mm) center set with 6 3/4" (171mm) spout
- A2** Overflow pipe with "O" ring to fit 1 1/2" strainer.
- A17** Faucet for top supplies. Clamps on with swing spout and angled nose end.

CUSTOMER SERVICE

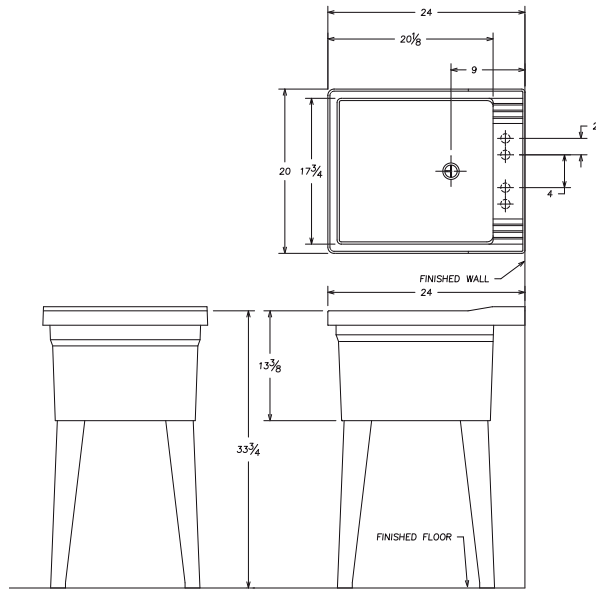
833-549-2887

www.fiatproducts.com

MODEL L7 WALL HUNG



MODEL FL7 FLOOR MOUNT



IMPORTANT: Rough-in dimensions may vary 1/2" and are subject to change or cancellation without prior notice.