

INSTALLATION INSTRUCTIONS



Wall Hung Laundry Tubs

Models: L1, L7, SF1W, LTDII

Thank you for selecting Fiat Products. To ensure this product is installed properly, please read these instructions carefully before you begin. (Certain installations may require professional help.) Also be sure your installation conforms to local codes.

IMPORTANT: Unpack your new laundry tub and inspect carefully for damage. Exercise care during installation. Rough handling or dropped tools may chip or crack material.

OBSERVE LOCAL PLUMBING AND BUILDING CODES

NOTE: Pictures may not exactly define contour of components

INSTALLATION PLANNING

Study all job prints, specifications, and instructions. Check the level and quality of sub floor.

1 FAUCET INSTALLATION

1. Turn the laundry tub upside down and place it on a protected surface to prevent scratches or damage.
2. Measure the actual faucet dimensions to determine the correct hole sizes.
3. On the underside of the faucet ledge on the laundry tub, locate the designated drill points.
4. Carefully drill holes at the marked points based on the faucet measurements.
5. Install the faucet onto the tub, ensuring a secure fit.

2 WALL MOUNTING PROCEDURE

1. Drill out plastic filler panel hole on the back of the tub skirt and insert tab (A) into the slot under the rim. Push the anchoring bard (B) into the hole in the tub skirt. Repeat for opposite panel. NOTE: Each of the filler panels are marked L or R and should be installed accordingly.
2. When mounting tub to a stud wall, install wood blocking to bridge the studs.
3. Single tub units use a single hanger bracket and Double tub units use two hanger brackets.
4. Fasten the mounting bracket(s) to the wall at 33-1/8" up from the floor with 1/4" lag screws. Make sure screws drive into studs or blocking. Two screws must be placed in the outermost holes of the bracket to properly attach the tub to the wall.
5. Lift and place sink over wall mounting bracket(s). Make sure tub is seated securely on the lip of the mounting bracket(s). See DETAIL C.

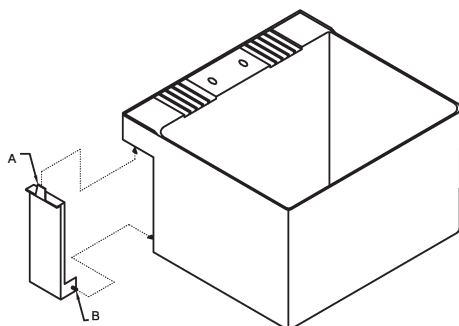


FIGURE 1

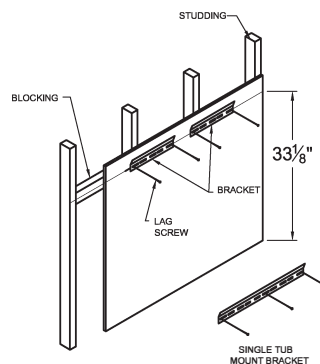
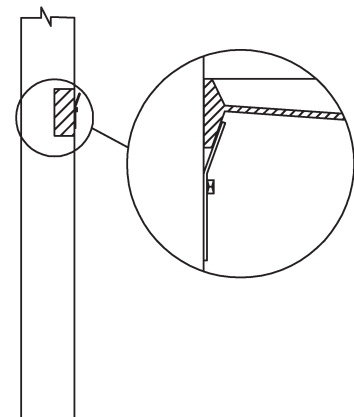


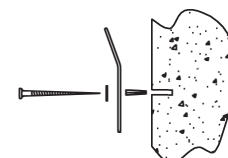
FIGURE 2



DETAIL C

WALL MOUNTING PROCEDURE (CONCRETE OR CEMENT)

1. To fasten wall mounting bracket to concrete or cement block wall construction, follow the same procedure for wood stud walls discussed above.
2. Drill holes with a masonry bit and use lead alloy screw anchors with 1/4" lag screws and flat washers.

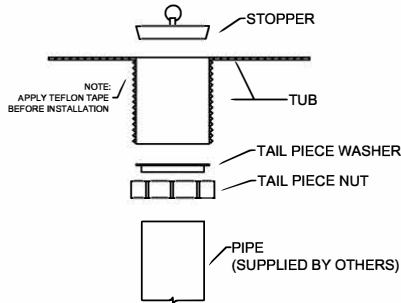


DETAIL D

DRAIN ASSEMBLY & PACKING LISTS

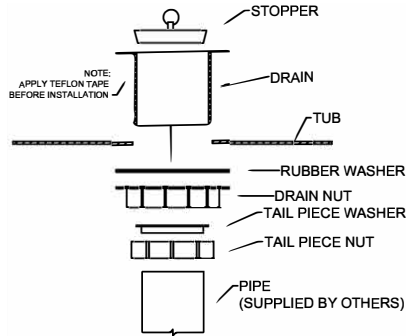
IMPORTANT NOTICE: The Gasket/Washer supplied with the drain assembly should provide adequate water seal. If additional protection is desired, used ONLY Teflon Tape. Use of Plumbers Putty may adversely affect the structural integrity of the Drain Assembly and will void the warranty.

**DRAIN ASSEMBLY
SF1W, L7**



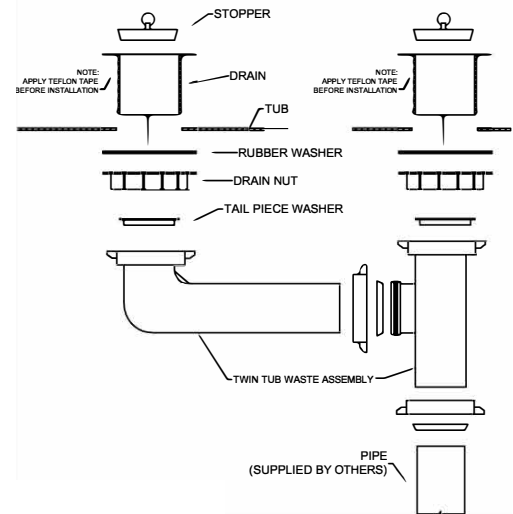
QTY	DESCRIPTION
1	Laundry Tub
2	Filler Panels (1 Left, 1 Right)
1	Metal Hanger Bracket
2	1/4" Lag Screws
2	1/4" Flat Washers
2	1/4" Lead Anchors
1	Stopper
1	Tail Piece Washer
1	Tail Piece Nut
1	Installation Manual

**DRAIN ASSEMBLY
L1**



QTY	DESCRIPTION
1	Laundry Tub
2	Filler Panels (1 Left, 1 Right)
1	Metal Hanger Bracket
2	1/4" Lag Screws
2	1/4" Flat Washers
2	1/4" Lead Anchors
1	Stopper
1	Tail Piece Washer
1	Tail Piece Nut
1	Drain
1	Rubber Washer
1	Drain Washer
1	Installation Manual

**DRAIN ASSEMBLY
LTDII**



QTY	DESCRIPTION
1	Laundry Tub
2	Filler Panels (1 Left, 1 Right)
1	Metal Hanger Brackets
4	1/4" Lag Screws
2	1/4" Flat Washers
2	1/4" Lead Anchors
2	Stoppers
2	Tail Piece Washers
2	Tail Piece Nuts
2	Drains
2	Rubber Washers
2	Drain Washers
1	Waste Pipe Assembly
1	Installation Manual

LAUNDRY TUB CARE AND CLEANING

This laundry tub has been specifically designed and engineered to exceed demanding strength and stress factors required for use. It is stain resistant, semi gloss finish. Like any fine finish, it requires reasonable care to maintain its beauty and luster.

Day-to-day cleaning: Wash with warm water, a soft cloth, and mild liquid detergent.

For stubborn stains: Use a Non-Abrasive, liquid detergent cleaner, applied using a soft cloth. More persistent stains, tar, or paint can be removed with naphtha or mineral spirits. Remove excess plaster by scraping with a sharpened soft wood stick. Avoid wire brushes, metal scrapers, or tools.

NEVER USE ABRASIVE SCOURING POWDERS, SOLVENT BASED CLEANSERS, OR SCOURING PADS AS THEY TEND TO DULL THE FINISH.