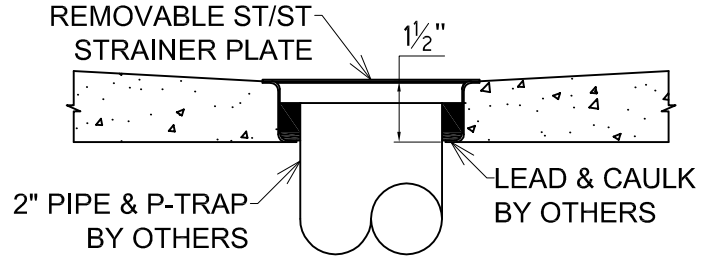
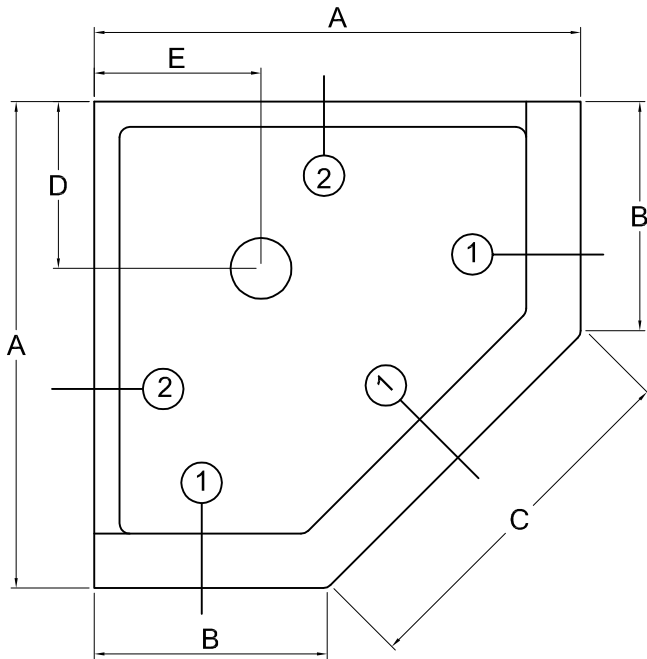


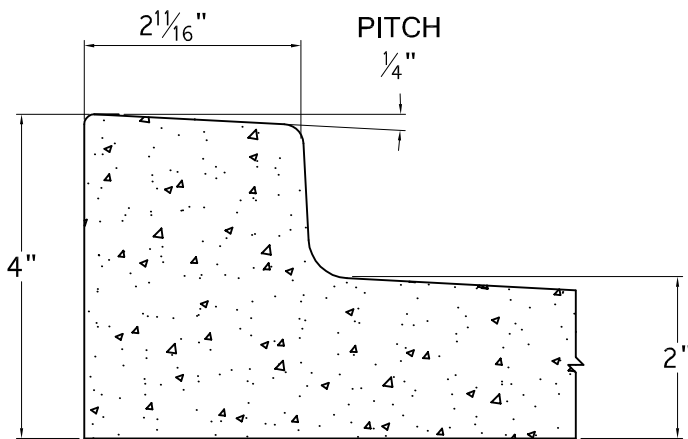
**MFTC - MONTEREY SERIES**

SPECIFICATIONS

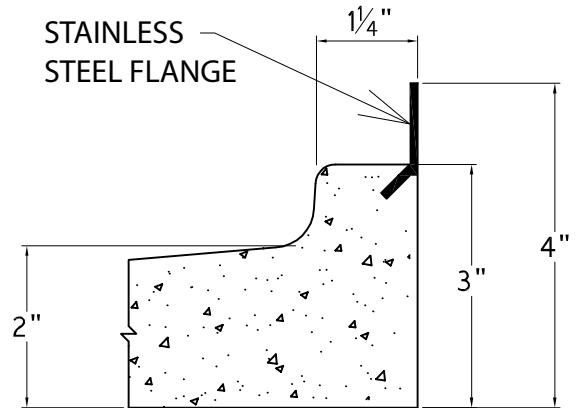
PRE-CAST TERRAZZO OF BLACK & WHITE MARBLE CHIPS IN WHITE CEMENT WITH A STAINLESS STEEL FLANGE AND A 2" STAINLESS STEEL DRAIN BODY CAST INTEGRAL WITH A REMOVABLE STRAINER PLATE MADE OF STAINLESS STEEL



**SECTION THRU DRAIN**



**SECTION 1**



**SECTION 2**

QTY	SIZE	A	B	C	D*	E*

\* INDICATES DRAIN LOCATION. DIMENSIONS MUST BE SPECIFIC, ESPECIALLY WITH OFFSET DRAIN.

DRAIN SIZE (OTHER THAN 2"): \_\_\_\_\_

COLOR (OTHER THAN BLACK & WHITE) \_\_\_\_\_

**IMPORTANT:** DUE TO THE NATURE OF MATERIAL AND MANUFACTURING PROCESS THE ACTUAL DIMENSIONS MAY VARY  $\pm 1/4$ "

NOTE: ESTABLISH  $1/4$ " INCH CLEARANCE BETWEEN SHOWER FLOOR AND WALL. IT IS IMPORTANT THAT ENTIRE AREA BETWEEN RECEPTOR AND BUILDING FLOOR HAVE A LAYER OF MORTAR IN ORDER THAT SHOWER FLOORS BE LEVEL.

NOTE: CUSTOMER TO REVIEW, VERIFY, AND APPROVE DRAWING FOR PRODUCTION. ONCE DRAWING IS SIGNED FOR APPROVAL AND SUBMITTED WITH ORDER, THE ORDER SHALL BE **NON-CANCELABLE**.



CUSTOMER SERVICE  
833-549-2887  
www.fiatproducts.com

DWG. APPROVED: _____	DATE: _____
CUST: _____	
JOB: _____	
ORDER #: _____	