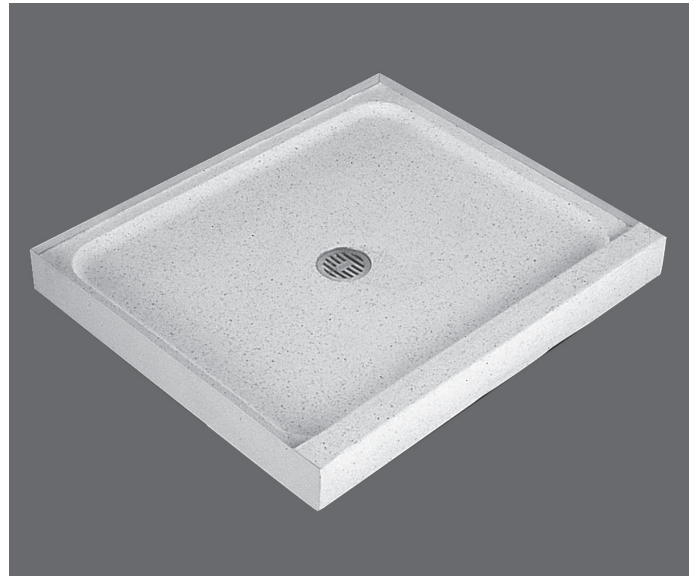


MONTEREY TERRAZZO SHOWER FLOOR

- Precast terrazzo one piece products are made of black and white marble chips cast in white portland cement to produce a compressive strength of not less than 3000 P.S.I., seven days after casting.
- The terrazzo surface is ground and polished with all air holes and/or pits grouted and the excess removed.
- Factory sealed to resist stains and moisture.
- Tiling flange, cast integral, is of stainless steel and shall extend not less than 1" (25mm) above the shoulder and not less than 1-1/4" (32mm) wide.
- The stainless steel drain body is cast integrally into the shower floor and sized for a gasket or provide for a caulked lead connection not less than 1" (25mm) deep to a 2" (51mm) pipe.
- Removable type stainless steel strainer plate.
- All models are UPC listed.

OPTIONS:

- Custom sizes available. Must go through custom quoting process.
- Specify color combination (black and white marble chips in white cement is standard). Colors available: white marble chips in white cement and black and white marble chips in grey cement.
- Optional vandal proof drain. Must go through the custom quoting process.
- QDC4000 Quick Connect gasket for use with 2.375 O.D. pipe.



SEE REVERSE FOR ROUGH-IN DIMENSIONS

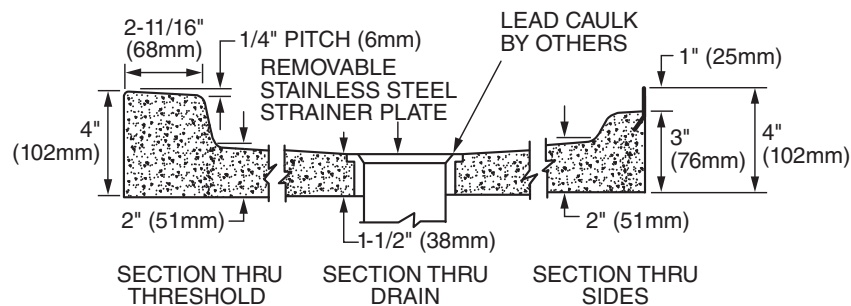
INSTALLATIONS:

Establish 1/4" clearance between shower floor and wall. It is required that the entire area between the receptor and the building floor have a 1/2" layer of mortar in order that shower floors be level.

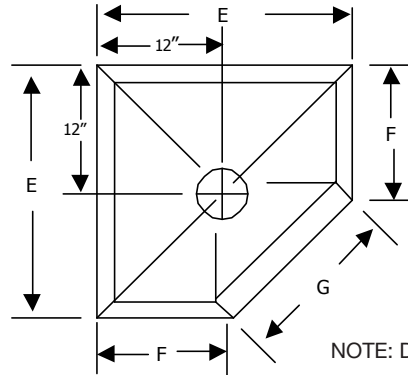
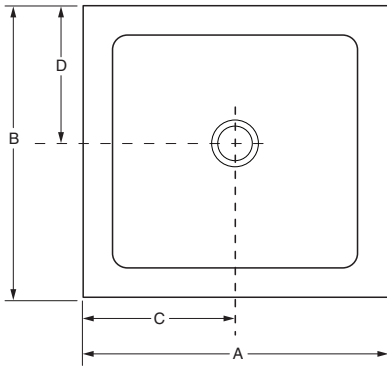
IMPORTANT: Rough-in dimensions may vary 1/2" (13mm) and are subject to change or cancellation without prior notice.

CERTIFICATIONS:

Meets requirements CSA B45.8-18 / IAPMO Z403-2018. All models are CUPC listed



NOTE: Drawing not to scale.



NOTE: Drawings not to scale.

MONTEREY – SINGLE THRESHOLD SQUARE						
MODEL	SIZE	APPROX. SHIP WT.	A	B	C	D
30-MFT	30" x 30"	185 lbs / 86 kg	30"(762mm)	30"(762mm)	15"(381mm)	15"(381mm)
32-MFT	32" x 32"	200 lbs / 91 kg	32"(813mm)	32"(813mm)	16"(406mm)	16"(406mm)
34-MFT	34" x 34"	220 lbs / 99 kg	34"(864mm)	34"(864mm)	17"(432mm)	17"(432mm)
36-MFT	36" x 36"	240 lbs / 109 kg	36"(914mm)	36"(914mm)	18"(457mm)	18"(457mm)
40-MFT	40" x 40"	265 lbs / 120 kg	40"(1016mm)	40"(1016mm)	20"(508mm)	20"(508mm)
42-MFT	42" x 42"	295 lbs / 134 kg	42"(1067mm)	42"(1067mm)	21"(533mm)	21"(533mm)
48-MFT	48" x 48"	390 lbs / 177 kg	48"(1219mm)	48"(1219mm)	24"(610mm)	24"(610mm)

MONTEREY – SINGLE THRESHOLD RECTANGLE						
MODEL	SIZE	APPROX. SHIP WT.	A	B	C	D
3632-MFTR	36" x 32"	240 lbs / 109 kg	36"(914mm)	32"(813mm)	18"(457mm)	16"(406mm)
4232-MFTR	42" x 32"	265 lbs / 120 kg	42"(1067mm)	32"(813mm)	21"(533mm)	16"(406mm)
4234-MFTR	42" x 34"	320 lbs / 145 kg	42"(1067mm)	34"(864mm)	21"(533mm)	17"(432mm)
4236-MFTR	42" x 36"	395 lbs / 179 kg	42"(1067mm)	36"(914mm)	21"(533mm)	18"(457mm)
4832-MFTR	48" x 32"	300 lbs / 136 kg	48"(1219mm)	32"(813mm)	24"(610mm)	16"(406mm)
4834-MFTR	48" x 34"	300 lbs / 177 kg	48"(1219mm)	34"(864mm)	24"(610mm)	17"(432mm)
4836-MFTR	48" x 36"	400 lbs / 181 kg	48"(1219mm)	36"(914mm)	24"(610mm)	18"(457mm)
5432-MFTR	54" x 32"	397 lbs / 180 kg	54"(1372mm)	32"(813mm)	27"(686mm)	16"(406mm)
6030-MFTR	60" x 30"	340 lbs / 154 kg	60"(1524mm)	30"(762mm)	30"(762mm)	15"(381mm)
6032-MFTR	60" x 32"	430 lbs / 195 kg	60"(1524mm)	32"(813mm)	30"(762mm)	16"(406mm)
6034-MFTR	60" x 34"	480 lbs / 218 kg	60"(1524mm)	34"(864mm)	30"(762mm)	17"(432mm)
6036-MFTR	60" x 36"	495 lbs / 225 kg	60"(1524mm)	36"(914mm)	30"(762mm)	18"(457mm)

MONTEREY – SINGLE THRESHOLD (SHORT SIDE) RECTANGLE						
MODEL	SIZE	APPROX. SHIP WT.	A	B	C	D
3236-MFTRS	32" x 36"	240 lbs / 109 kg	32"(813mm)	36"(915mm)	16"(406mm)	18"(457mm)
3642-MFTRS	36" x 42"	285 lbs / 129 kg	36"(915mm)	42"(1067mm)	18"(457mm)	21"(533mm)
3648-MFTRS	36" x 48"	320 lbs / 145 kg	36"(915mm)	48"(1219mm)	18"(457mm)	24"(610mm)

MONTEREY – DOUBLE THRESHOLD SQUARE						
MODEL	SIZE	APPROX. SHIP WT.	A	B	C	D
32-MFTD	32" x 32"	266 lbs / 121 kg	32"(813mm)	32"(813mm)	16"(406mm)	16"(406mm)
36-MFTD	36" x 36"	285 lbs / 193 kg	36"(915mm)	36"(915mm)	18"(457mm)	18"(457mm)
40-MFTD	40" x 40"	320 lbs / 145 kg	40"(1016mm)	40"(1016mm)	20"(508mm)	20"(508mm)

MONTEREY – CORNER						
MODEL	SIZE	APPROX. SHIP WT.	E	F	G	
32-MFTC	32" x 32"	175 lbs / 79 kg	32"(813mm)	14"(356mm)	25 5/8"(645mm)	
34-MFTC	34" x 34"	220 lbs / 100 kg	34"(864mm)	16"(406mm)	25 5/8"(645mm)	
36-MFTC	36" x 36"	240 lbs / 109 kg	36"(914mm)	18"(457mm)	25 5/8"(645mm)	
40-MFTC	40" x 40"	280 lbs / 127 kg	40"(1016mm)	22"(559mm)	25 5/8"(645mm)	