

INSTALLATION INSTRUCTIONS

Stainless Steel Shelf

Model: 889CCSHELF

FIAT
PRODUCTS

Thank you for selecting Fiat Products. To ensure this product is installed properly, please read these instructions carefully before you begin. (*Certain installations may require professional help.*) Visit our website for information on the warranty, care and cleaning.

IMPORTANT: Unpack model 889CCSHELF and inspect carefully for damage. Exercise care during installation. Rough handling or dropped tools may chip, dent or crack material.

FOLLOW LOCAL PLUMBING AND BUILDING CODES

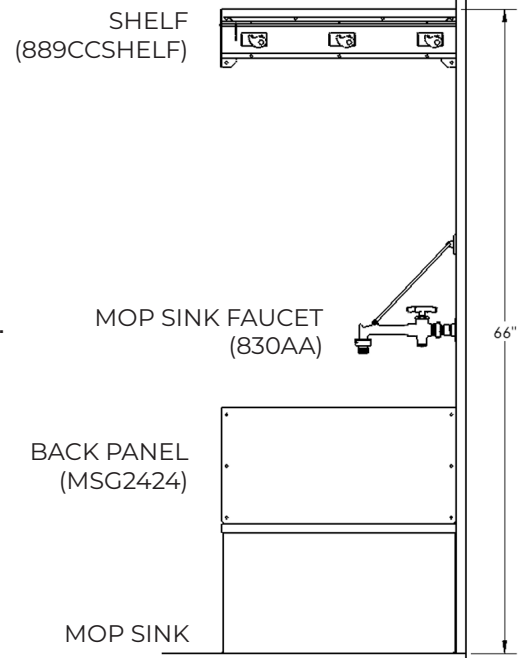
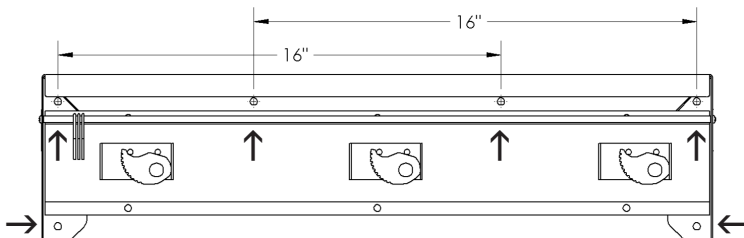
PREPARATION

- Refer to "Rough-In" dimensions and determine where the FIAT 889CCSHELF will be installed.
- Note the hole locations using recommended measurements shown in drawings below.

INSTALLATION INSTRUCTIONS

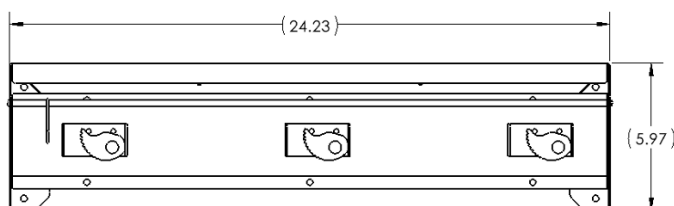
1. Hold the shelf level and flush with the wall, mark hole locations, and pre-drill holes.
2. Use the provided mounting hardware to securely attach the shelf to the wall. (*Weight Capacity - 200 lbs.*)

Note: Make use of the 16" center locations to secure to a stud for maximum strength. To ensure proper stability, use all holes (6 total-marked with ↑).

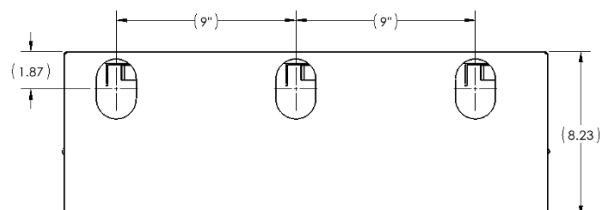


DIMENSIONS

- Recommended to mount top of shelf 5-1/2 feet (66 inches) above the finished floor to ensure ease of access when using mop hangers.



FRONT VIEW



TOP VIEW