

# INSTALLATION INSTRUCTIONS



## Molded Stone Shower Bases

**Note: DO NOT STORE UNITS OUTDOORS - KEEP OUT OF DIRECT SUNLIGHT**

Thank you for selecting Fiat Products. To ensure this product is installed properly, please read these instructions carefully before you begin. (Certain installations may require professional help.) Also be sure your installation conforms to local codes.

**IMPORTANT: Keep the unit cartoned all the way to the bathroom site for added protection. Unit should be handled with care.** Unpack your new shower and inspect carefully for damage. When installing unit, lay cardboard or a drop cloth on the unit floor to protect it from damage. **OBSERVE LOCAL PLUMBING AND BUILDING CODES**

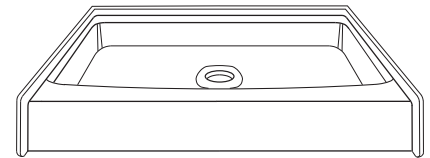
**NOTE:** Pictures may not exactly define contour of components

### INSTALLATION PLANNING

Study all job prints, specifications, and instructions. Check the level and quality of sub floor.

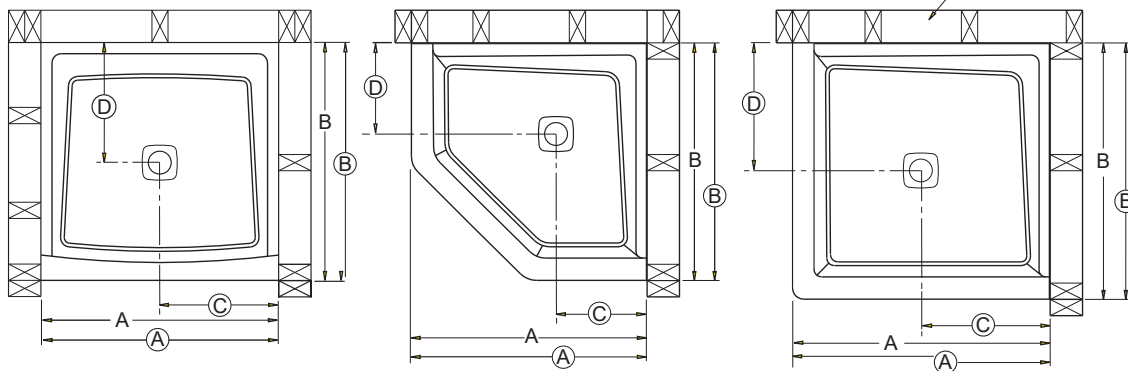
An opening in the slab or sub floor must be provided to permit the molded in drain boss to extend below the floor surface. The opening should be 5" x 5" minimum in size.

See the applicable **PRODUCT DIAGRAM** for the dimensional information of the product you are installing when planning the framed pocket.



**FIGURE A - PRODUCT DIAGRAMS**  
ROUGHING-IN DIMENSIONS SHOWN IN CIRCLES

Space studs on fitting wall to provide room to install control valves and water supply pipes.

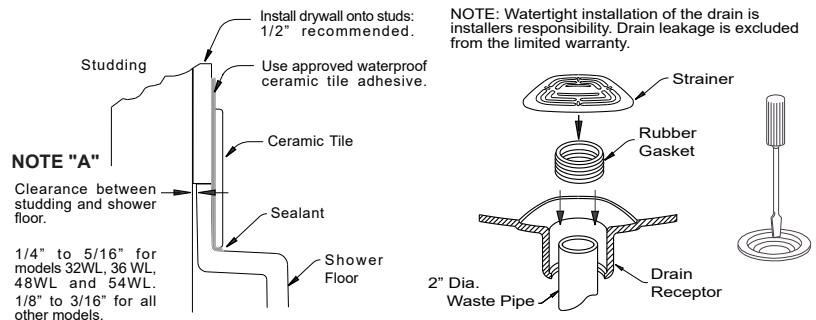


MODEL NO.	NOMINAL SIZE		ACTUAL SIZE +/- 1/16		ROUGH-IN DIMENSIONS				APPROX SHIPPING WT. lbs
	A	B	A	B	Ⓐ	Ⓑ	Ⓒ	Ⓓ	
32WL	32	32	32	32	32-3/8	32-3/16	16-3/16	16-1/8	29
34WL	34	34	34-1/4	34-1/4	34-5/8	34-7/16	17-5/6	17-1/4	31
36WL	36	36	36	36	36-3/8	36-3/16	18-3/16	18-1/8	34
42WL	42	34	42	34	42-3/8	34-3/16	21-3/16	17-1/8	36
48WL	48	34	48	34	48-3/8	34-3/16	24-3/16	17-1/8	42
54WL	54	54	54-3/8	34-1/4	54-11/16	34-9/16	27-3/8	17-5/16	47
60WL	60	34	60	34	60-3/8	34-3/16	30-3/16	17-1/8	51
34WLD	34	34	34-1/4	34-1/4	34-7/16	34-7/16	17-1/4	17-1/4	34
36WLD	36	36	36-1/4	36-1/4	36-7/16	36-7/16	18-1/4	18-1/4	36
36WLC	36	36	36	36	36-3/16	36-3/16	12-3/16	12-3/16	36
38WLC	38	38	38-1/4	38-1/4	38-7/16	38-7/16	12-5/16	12-5/16	39
4242WL	42	42	42	42	42-1/4	42-1/4	21-1/8	21-1/8	48
4832WL	48	32	32-1/8	32-1/8	32-1/4	32-1/4	24-1/4	16-1/8	41

# 1

## INSTALLATION PROCEDURE

1. Refer to the "Rough-In" dimensions on Fig. A to determine drain position. Refer to columns C and D in chart and cut a 5" opening in sub-floor for drain body.
2. Drain connection requires 2" diameter waste pipe.
3. Place shower floor directly on sub-floor, slab or studded alcove and make sure all 4 sides are level. To level shower floor, place level across dam and along sides. Shim if required using durable material. Space unit in alcove as indicated in Note "A". Shower floor is NOT fastened to the studs.
4. If using drywall for shower walls, be sure to waterproof wall surface. Use waterproof adhesive when installing ceramic tile.
5. Install shower drain fitting. Slip 2" diameter pipe (supplied by installer) through shower drain hole in receptor.
6. Install Rubber Gasket over the drain pipe. Use a screw driver to make sure the gasket is seated to the bottom of the drain receptor.
7. Complete installation by snapping Strainer into place.



## SHOWER BASE CARE AND CLEANING

This shower floor has been specifically designed and engineered to exceed demanding strength and stress factors required for use. It is stain resistant, semi gloss finish. Like any fine finish, it requires reasonable care to maintain its beauty and luster. **Day-to-day cleaning:** Wash with warm water, a soft cloth, and mild liquid detergent. **For stubborn stains:** Use a Non-Abrasive, liquid detergent cleaner, applied using a soft cloth. More persistent stains, tar, or paint can be removed with naphtha or mineral spirits. Remove excess plaster by scraping with a sharpened soft wood stick. Avoid wire brushes, metal scrapers, or tools.

**NEVER USE ABRASIVE SCOURING POWDERS, SOLVENT BASED CLEANSERS, OR SCOURING PADS AS THEY TEND TO DULL THE FINISH.**

**NOTE:** We recommend using **URC Fiberglass Tub and Shower Cleaner**. Ask for it where you purchased your new unit.

Packing List	
QTY	Description
1	Shower Floor
1	Rubber Drain Gasket (QIC2)
1	Strainer

## FIAT PRODUCTS, LLC. LIMITED ONE YEAR WARRANTY FOR PERSONAL RESIDENTIAL AND COMMERCIAL USE OF FIAT® PRODUCTS

### WARRANTY COVERAGE

FIAT Products warrants products against defects in material and workmanship under both normal residential and commercial use for as long as it is owned by the original purchaser for a period of one (1) year from the date of first purchase.

This warranty is provided for the exclusive benefit of the initial consumer purchaser or owner. This warranty is non-transferable to subsequent purchasers or owners. The sole exception to the non-transferability of this warranty is that if this product is purchased by a plumber, contractor or other service provider, this warranty extends to the first residential or commercial property owner on whose behalf the product was purchased for installation. This warranty applies only to FIAT® Products installed in the United States of America or Canada.

If a defect arises and a valid claim is received, FIAT Products, at its option, will either (1) repair the product, (2) replace the product or any part therein with a FIAT product of equal or similar type and size, or (3) refund to the consumer the wholesale price of the product. If FIAT Products elects to refund the wholesale price to the consumer, FIAT Products shall have no further obligation to its wholesale customer, or any contractor with respect to such product. Goods proven to be defective will be replaced after proper inspection, but no claims for damages incurred or for work done thereon will be allowed. Replacements when supplied will be shipped at no cost to the consumer.

### EXCLUSIONS AND LIMITATIONS

1. This warranty only applies to products purchased through an authorized FIAT® Products dealer or re-seller.
2. This warranty does not apply to defects or damage caused by non-genuine FIAT parts, installation error, product abuse, product misuse, improper maintenance, improper care or cleaning, improper repair or installation, and/or movement or transfer of the product from its original installation location (whether performed by you, a plumber, a contractor or a service company). Because improper care and cleaning can cause significant damage to the product, it is strongly recommended that you follow the Care and Cleaning Instructions (as well as the other instructions).
3. FIAT Products is not responsible for labor charges and/or damage incurred during installation, repair, or replacement.
4. FIAT Products does not warrant that this product and/or its installation complies with local code requirements. FIAT Products recommends that you consult with a plumbing contractor about local code requirements.

TO THE EXTENT PERMITTED BY LAW, THIS WARRANTY IS EXCLUSIVE AND IN LIEU OF ALL OTHER WARRANTIES, WHETHER ORAL OR WRITTEN, STATUTORY, EXPRESS, OR IMPLIED. FIAT PRODUCTS HEREBY EXCLUDES SPECIAL, INCIDENTAL AND CONSEQUENTIAL DAMAGES FOR ANY BREACH OF ANY EXPRESS OR IMPLIED WARRANTY APPLICABLE TO THIS PRODUCT.

Some states do not allow the exclusion or limitation of incidental or consequential damages, so the above limitations and exclusions may not apply to you. This warranty gives you specific legal rights, and you may also have other rights which vary from state to state (or province, as applicable).

### OBTAINING WARRANTY SERVICE

If you feel you have a warranty claim, contact FIAT Products, either through an authorized FIAT Products dealer or re-seller, or by writing:

#### In the United States and Canada:

FIAT Products, LLC  
4515 E. 139th St.  
Grandview, MO 64030

Please be sure to provide all pertinent information regarding your claim, including a complete description of the problem, the product, model number, color, finish, purchase date, and from whom the product was purchased.

For other information, call (833) 549-2887 (in the United States and Canada) or visit [www.fiatproducts.com](http://www.fiatproducts.com).